

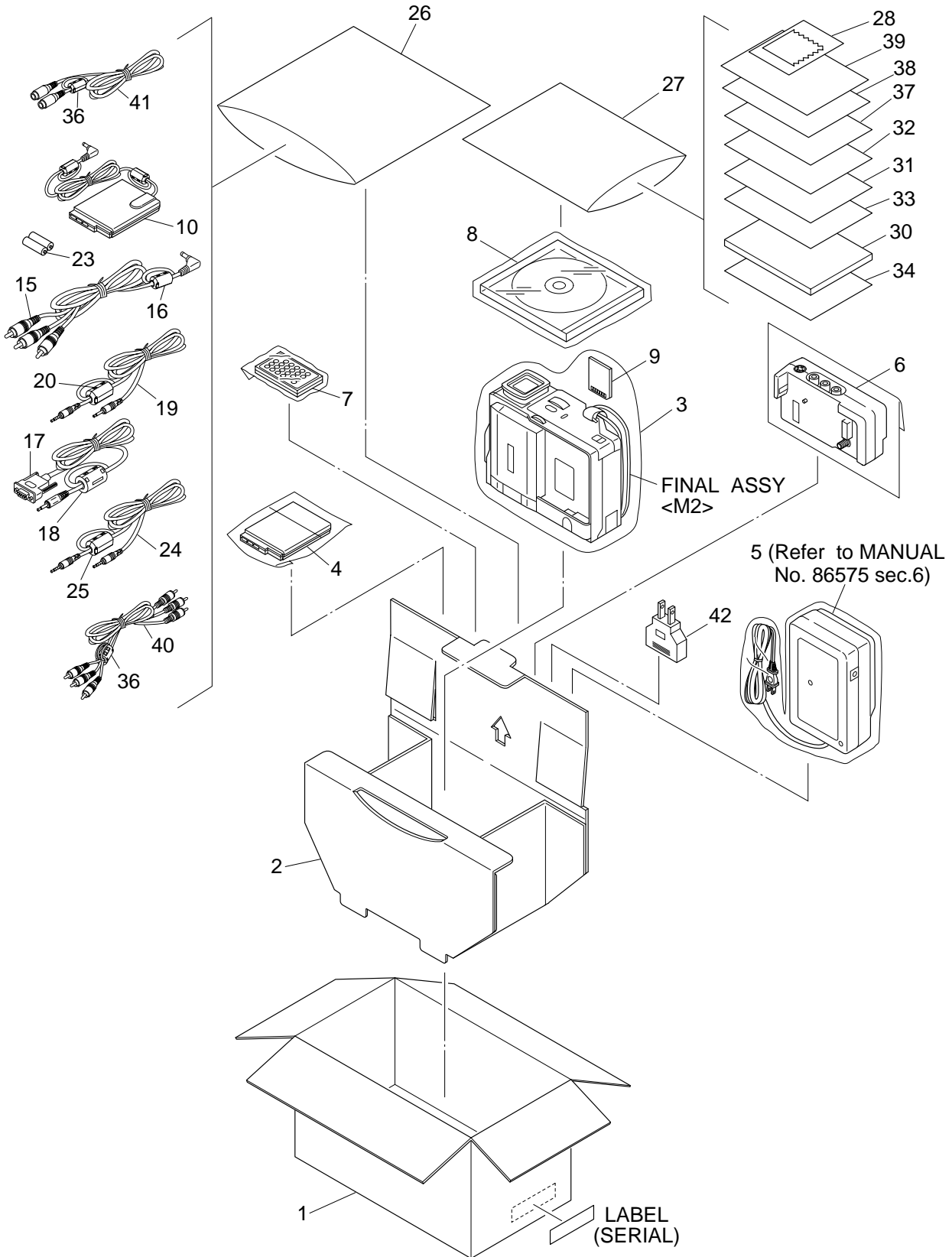
SECTION 5 PARTS LIST

SAFETY PRECAUTION

Parts identified by the \triangle symbol are critical for safety. Replace only with specified part numbers.

5.1 PACKING AND ACCESSORY ASSEMBLY <M1>

The instruction manual to be provided with this product will differ according to the destination.



PACKING AND ACCESSORY ASSEMBLY <M1>

| | | |
|------|---------------|---------------------------------|
| 1 | LY31717-007A | PACKING CASE,B,C |
| | LY31717-009A | PACKING CASE,A |
| | LY31717-013A | PACKING CASE,E,F |
| | LY31717-015A | PACKING CASE,D |
| 2 | LY20588-001A | CUSHION |
| 3 | LY30023-003A | POLY BAG |
| △ 4 | LY31174-003B | BATTERY PACK,BN-V507U-E |
| △ 5 | LY20603-004A | AC ADAPTER CHARGER,AA-V51AS,C,F |
| △ | LY20603-005B | AC ADAPTER CHARGER,AA-V51EA,A,D |
| △ | LY20603-009A | AC ADAPTER CHARGER,AA-V51A,B,E |
| △ 6 | LY20590-004A | DOCKING STATION,CU-V502E,D,E,F |
| △ | LY20590-005A | DOCKING STATION,CU-V503E,A,B,C |
| 7 | LY20543-002A | REMOTE CONTROL UNIT,RM-V716U |
| 8 | LY31133-013B | CD ROM,D,E,F |
| | LY31133-015A | CD ROM,A,B,C |
| 9 | QAM0262-002 | MULTIMEDIA CARD,D,E,F |
| 10 | LY31176-005B | DC CORD |
| 15 | QAM0120-001 | CABLE ASSY,AUDIO/VIDEO CABLE |
| 16 | QQR0918-002 | CORE FILTER |
| 17 | QAM0084-001 | PC CONNECTION CABLE |
| 18 | QQR0918-002 | CORE FILTER |
| 19 | QAM0214-001 | RM(EDITING)CABLE |
| 20 | QQR0491-002 | CORE FILTER |
| 23 | - | BATTERY,AAA(R03),X2 |
| 24 | QAM0129-001 | JLIP CABLE |
| 25 | QQR0491-002 | CORE FILTER,D,E,F |
| | QQR0855-003 | NOISE FILTER,A,B,C |
| 26 | QPGA017-03005 | POLY BAG |
| 27 | QPA02003006 | POLY BAG |
| 28 | YQ43558 | CLEANING CLOTH |
| △ 30 | LYT0635-001A | IB(EN),A,B,C |
| △ | LYT0635-002A | IB(GE),B,C |
| △ | LYT0635-003A | IB(FR),B,C |
| △ | LYT0635-004A | IB(CH),B,C |
| △ | LYT0635-006A | IB(AR),B,C |
| △ | LYT0636-001A | IB(EN),D,E,F |
| △ | LYT0636-002A | IB(GE),E,F |
| △ | LYT0636-003A | IB(FR),E,F |
| △ | LYT0636-004A | IB(CH),E,F |
| △ | LYT0636-006A | IB(AR),E,F |
| 31 | LYT0584-004A | IB(PRINTER.EN),D,E,F |
| | LYT0584-005A | IB(PRINTER.FR),E,F |
| | LYT0629-016A | IB(PRINTER.GE),E,F |
| | LYT0629-029A | IB(PRINTER.AR),E,F |
| | LYT0629-030A | IB(PRINTER.CH),E,F |
| △ 32 | LYT0518-001A | IB(SOFT.SETUP),B,C |
| △ | LYT0501-001A | IB(SOFT.SETUP),A |
| △ | LYT0639-001A | IB(SOFT.SETUP),E,F |
| △ | LYT0643-001A | IB(SOFT.SETUP),D |
| 33 | LYT0378-003A | SHEET(AGREMENT) |
| 34 | BT-56001-2 | WARRANTY CARD,A,D |
| 36 | QQR0918-002 | CORE FILTER,X2 |
| 37 | BT-56002-2 | SER.NET CARD,A,D |
| 38 | LYT0609-001A | SHEET(CON.PLUG),B,C,E,F |
| 39 | LYT0162-022A | ACC. LEAFLET |
| 40 | YQ31953A | A/V RCA CABLE |
| 41 | QAM0004-004 | S CABLE,S-VIDEO CABLE |
| △ 42 | PEMC1012 | CONVERSION PLUG,C,F |
| △ | PEMC1012-02 | CONVERSION PLUG,B,E |

| MODEL | MARK |
|-------------|------|
| GR-DVX8EA | A |
| GR-DVX80A | B |
| GR-DVX80A-S | C |
| GR-DVX9EA | D |
| GR-DVX90A | E |
| GR-DVX90A-S | F |

- **INSTRUCTIONS**
- EN ENGLISH
- GE GERMANY
- FR FRENCH
- CH CHINESE
- AR ARABIAN

5.2 ELECTRICAL PARTS LIST

| MODEL | MARK | MODEL | MARK |
|-------------|------|-------------|------|
| GR-DVX8EA | A | GR-DVX9EA | D |
| GR-DVX80A | B | GR-DVX90A | E |
| GR-DVX80A-S | C | GR-DVX90A-S | F |

| # | △ REF No. | PART No. | PART NAME, DESCRIPTION |
|---------------------------------------|-----------|--------------------|------------------------|
| ***** | | | |
| MAIN BOARD ASSEMBLY <01> | | | |
| | PW | YB10284G-01 | MAIN BOARD ASSY,A,B,C |
| | | YB10284F-02 | MAIN BOARD ASSY,D,E,F |
| | IC1001 | YQ44860A | CSP IC ASSY |
| | IC1002 | MB90097PFV133 | IC(MICRO C ROM) |
| | IC1003 | NM25C160LZEM8 | IC |
| | | or X25170S8I-2.5-X | IC |
| | | or X25330S8I-2.5-X | IC |
| | | or AT25160N-10SC-X | IC |
| | IC1004 | RS5C314 | IC |
| | IC1005 | TC7W08FK | IC |
| | IC1006 | TC7W04FK | IC |
| | IC1008 | TC7W66FK | IC |
| | IC1009 | TC7W08FK | IC |
| | IC1101 | TA75W01FU | IC |
| | IC1401 | YQ44872A | CSP IC ASSY |
| | IC1402 | TC7W14FK | IC |
| | IC1403 | TC7W66FK | IC |
| | IC1405 | TC4W53FU | IC |
| | IC2701 | SN74AHC1G66K | IC |
| | IC2751 | TC74HC4052AFT | IC |
| | IC3001 | JCY0106-2 | IC |
| | IC3002 | M51V18165D-50LS | IC |
| | IC3004 | TC7SL00FU | IC(DIGITAL) |
| | IC3005 | SN74AHC1G04K | IC |
| | IC3101 | PDI1394P11AEC | IC |
| | IC3201 | JCY0107-2 | IC |
| | IC3202 | TC7SH00FU | IC(DIGITAL) |
| | IC3203 | MM1385UN | IC |
| | IC3301 | JCY0108 | IC |
| | IC3501 | AN3731FHQ | IC(DIGITAL) |
| | IC3701 | NJM2538V | IC |
| | IC3702 | MM1385HN | IC |
| | IC3801 | JCP8019 | IC |
| | IC3851 | MM1504XN | IC |
| | IC4201 | HD49325BHF | IC |
| | IC4202 | RH5RZ31CA | IC |
| | IC4301 | YQ44827A | IC |
| | IC4302 | MM1385PN | IC |
| | IC4303 | SN74AHC1G08K | IC |
| | IC4401 | M62366GP | IC |
| △ | IC5001 | JCY0138 | IC |
| | IC5002 | MM1385DN | IC |
| | IC5004 | W194-70G-X | IC |
| | IC6001 | S-80842ANNP-W | IC |
| | IC6002 | S-81233SG-QF-X | IC |
| | IC6003 | S-81330HG-KB-X | IC |
| | IC6004 | S-80826ANNP-W | IC |
| | IC6101 | BD9712KU | IC |
| | IC6401 | MM1385XN | IC |
| | IC6601 | TC7W74FK | IC,D,E,F |
| | | or TC7WH74FK | IC,D,E,F |
| | IC8001 | JCY0121-4 | IC,D,E,F |
| | IC8002 | MSM56V16160D1LS | IC,D,E,F |
| | IC8003 | M32310D5WG | IC,D,E,F |
| | IC8004 | MBV800TA90PBA05 | IC(MICRO C ROM),D,E,F |
| | IC8005 | TC7S00FU | IC,D,E,F |
| | | or SN74AHC1G00K | IC,D,E,F |

| # | △ REF No. | PART No. | PART NAME, DESCRIPTION |
|---|-----------|----------------|------------------------|
| | IC8006 | MM1385NN | IC,D,E,F |
| | IC8007 | MM1385EN | IC,D,E,F |
| | IC8008 | TC7WHU04FK | IC,D,E,F |
| | IC8009 | TC7WH34FK | IC,D,E,F |
| | IC8101 | TMS320DA050-G | IC,D,E,F |
| | IC8102 | TC7MA2244FK | IC,D,E,F |
| | IC8103 | TC7S04FU | IC,D,E,F |
| | Q1401 | DTA114EE | TRANSISTOR |
| | | or RN2102 | TRANSISTOR |
| | Q1402 | UMC3N | TRANSISTOR |
| | Q1403 | UMC3N | TRANSISTOR |
| | Q1405 | DTC143EE | TRANSISTOR |
| | Q1406 | 2SC4738FT/G/-X | TRANSISTOR |
| | Q1407 | DTC124EE | TRANSISTOR |
| | Q1408 | RN1104FT | TRANSISTOR |
| | Q2701 | RN1104FT | TRANSISTOR |
| | Q2703 | 2SC4738FT/G/-X | TRANSISTOR |
| | Q2704 | 2SC4738FT/G/-X | TRANSISTOR |
| | Q2705 | 2SC4738FT/G/-X | TRANSISTOR |
| | Q2751 | RN1104FT | TRANSISTOR |
| | Q2752 | 2SA1832FT/G/-X | TRANSISTOR |
| | Q2753 | 2SA1832FT/G/-X | TRANSISTOR |
| | Q2754 | 2SC4738FT/G/-X | TRANSISTOR |
| | Q2755 | UMX1N | PAIR TRANSISTOR |
| | Q2756 | 2SA1832FT/G/-X | TRANSISTOR |
| | Q2757 | RN2104FT | TRANSISTOR |
| | Q2758 | RN1104FT | TRANSISTOR |
| | Q2759 | RN1104FT | TRANSISTOR |
| | Q2760 | 2SC4738FT/G/-X | TRANSISTOR |
| | Q3501 | 2SC4226/4/-X | TRANSISTOR |
| | Q3502 | 2SD1979/S/-X | TRANSISTOR |
| | Q3503 | 2SD1979/S/-X | TRANSISTOR |
| | Q3504 | 2SC4226/4/-X | TRANSISTOR |
| | Q3551 | 2SA1577/QR/-X | TRANSISTOR |
| | Q3552 | RN1104FT | TRANSISTOR |
| | Q3701 | RN1104FT | TRANSISTOR |
| | Q3705 | 2SC4738FT/G/-X | TRANSISTOR |
| | Q3706 | RN1104FT | TRANSISTOR |
| | Q3707 | UMT2N | PAIR TRANSISTOR |
| | Q3708 | 2SA1832FT/G/-X | TRANSISTOR |
| | Q3709 | 2SA1832FT/G/-X | TRANSISTOR |
| | Q3710 | 2SA1832FT/G/-X | TRANSISTOR |
| | Q3711 | 2SC4738FT/G/-X | TRANSISTOR |
| | Q3712 | UMA2N | TRANSISTOR |
| | Q3713 | RN1104FT | TRANSISTOR |
| | Q3714 | RN1104FT | TRANSISTOR |
| | Q3731 | 2SA1832FT/G/-X | TRANSISTOR |
| | Q3801 | HN1B04FU/YG/-X | PAIR TRANSISTOR |
| | Q3851 | UMC4N | TRANSISTOR |
| | Q3852 | HN1B04FU/YG/-X | PAIR TRANSISTOR |
| | Q3853 | 2SC4738FT/G/-X | TRANSISTOR |
| | Q3855 | 2SA1832FT/G/-X | TRANSISTOR |
| | Q3856 | HN2C01FU/YG/-X | PAIR TRANSISTOR |
| | Q3857 | HN1B04FU/YG/-X | PAIR TRANSISTOR |
| | Q3858 | DTC114EE | TRANSISTOR |
| | Q4351 | 2SA1832FT/G/-X | TRANSISTOR |
| | Q4352 | UMT2N | PAIR TRANSISTOR |
| | Q4353 | UMT2N | PAIR TRANSISTOR |
| | Q4354 | 2SA1832FT/G/-X | TRANSISTOR |
| | Q6001 | 2SJ501 | MOS FET |
| | Q6002 | 2SK3019 | MOS FET |

| # | △ REF No. | PART No. | PART NAME, DESCRIPTION | # | △ REF No. | PART No. | PART NAME, DESCRIPTION | |
|---|-----------|----------------|------------------------|-------------|-----------|--------------|------------------------|-------------|
| | | or 2SK1830 | MOS FET | R1016 | | NRSA6AJ-102W | MG RESISTOR | 1kΩ,1/16W |
| | Q6003 | 2SJ347 | MOS FET | R1017 | | NRSA6AJ-103W | MG RESISTOR | 10kΩ,1/16W |
| | Q6004 | 2SK3019 | MOS FET | R1018 | | NRSA6AJ-822W | MG RESISTOR | 8.2kΩ,1/16W |
| | | or 2SK1830 | MOS FET | R1019 | | NRSA6AJ-102W | MG RESISTOR | 1kΩ,1/16W |
| | Q6005 | RN1104FT | TRANSISTOR | R1020 | | NRSA6AJ-123W | MG RESISTOR | 12kΩ,1/16W |
| | Q6006 | 2SJ501 | MOS FET | R1021 | | NRSA6AJ-0R0W | MG RESISTOR | 0Ω,1/16W |
| | Q6007 | RN47A3 | TRANSISTOR | R1023 | | NRSA6AJ-0R0W | MG RESISTOR | 0Ω,1/16W |
| | Q6103 | NDS352AP | MOS FET | R1024 | | NRSA6AJ-0R0W | MG RESISTOR | 0Ω,1/16W |
| | Q6104 | NDS352AP | MOS FET | R1025 | | NRSA6AJ-0R0W | MG RESISTOR | 0Ω,1/16W |
| | Q6105 | NDS352AP | MOS FET | R1028 | | NRSA6AJ-102W | MG RESISTOR | 1kΩ,1/16W |
| | Q6106 | NDS352AP | MOS FET | R1030 | | NRSA6AJ-102W | MG RESISTOR | 1kΩ,1/16W |
| | Q6107 | NDS352AP | MOS FET | R1031 | | NRSA6AJ-102W | MG RESISTOR | 1kΩ,1/16W |
| | Q6108 | NDS352AP | MOS FET | R1032 | | NRSA6AJ-0R0W | MG RESISTOR | 0Ω,1/16W |
| | Q6109 | NDS351AN | MOS FET | R1033 | | NRSA6AJ-102W | MG RESISTOR | 1kΩ,1/16W |
| | Q6110 | NDS352AP | MOS FET | R1034 | | NRSA6AJ-0R0W | MG RESISTOR | 0Ω,1/16W |
| | Q6112 | NDS352AP | MOS FET | R1035 | | NRSA6AJ-104W | MG RESISTOR | 100kΩ,1/16W |
| | Q6113 | NDS351AN | MOS FET | R1036 | | NRSA63J-0R0X | MG RESISTOR | 0Ω,1/16W |
| | Q6201 | HN1C01FU/G/-X | PAIR TRANSISTOR | R1037 | | NRSA6AJ-103W | MG RESISTOR | 10kΩ,1/16W |
| | Q6202 | 2SA1577/QR/-X | TRANSISTOR | R1038 | | NRSA6AJ-103W | MG RESISTOR | 10kΩ,1/16W |
| | Q6203 | 2SC4617/QR/-X | TRANSISTOR | R1039 | | NRSA6AJ-102W | MG RESISTOR | 1kΩ,1/16W |
| | Q6204 | HN1A01FU/G/-X | PAIR TRANSISTOR | R1040 | | NRSA6AJ-102W | MG RESISTOR | 1kΩ,1/16W |
| | Q6205 | 2SC4617/QR/-X | TRANSISTOR | R1041 | | NRSA6AJ-104W | MG RESISTOR | 100kΩ,1/16W |
| | Q6206 | 2SA1774/QR/-X | TRANSISTOR | R1042 | | NRSA6AJ-473W | MG RESISTOR | 47kΩ,1/16W |
| | Q6207 | DTC144EE | TRANSISTOR | R1043 | | NRSA6AJ-103W | MG RESISTOR | 10kΩ,1/16W |
| | Q6601 | RN1104FT | TRANSISTOR,D,E,F | R1044 | | NRSA6AJ-472W | MG RESISTOR | 4.7kΩ,1/16W |
| | Q6602 | 2SA1873/YG/-X | PAIR TRANSISTOR,D,E,F | R1045 | | NRSA6AJ-222W | MG RESISTOR | 2.2kΩ,1/16W |
| | Q6611 | 2SA1832FT/G/-X | TRANSISTOR,D,E,F | R1047 | | NRSA6AD-473W | MG RESISTOR | 47kΩ,1/16W |
| | Q6612 | 2SA1873/YG/-X | PAIR TRANSISTOR,D,E,F | R1048 | | NRSA6AJ-104W | MG RESISTOR | 100kΩ,1/16W |
| | Q6613 | 2SC4738FT/G/-X | TRANSISTOR,D,E,F | R1050 | | NRSA6AJ-104W | MG RESISTOR | 100kΩ,1/16W |
| | Q6614 | RN1702 | TRANSISTOR,D,E,F | R1052 | | NRSA6AJ-103W | MG RESISTOR | 10kΩ,1/16W |
| | Q6615 | UMC4N | TRANSISTOR,D,E,F | R1053 | | NRSA6AJ-0R0W | MG RESISTOR | 0Ω,1/16W |
| | D1002 | 1SS357 | SB DIODE | R1054 | | NRSA6AJ-0R0W | MG RESISTOR | 0Ω,1/16W |
| | D1401 | DA221 | DIODE | R1055 | | NRSA6AJ-101W | MG RESISTOR | 100Ω,1/16W |
| | D2751 | DAN222 | DIODE | R1056 | | NRSA6AJ-101W | MG RESISTOR | 100Ω,1/16W |
| | D2752 | DA221 | DIODE | R1058 | | NRSA6AJ-0R0W | MG RESISTOR | 0Ω,1/16W |
| | D2753 | DA221 | DIODE | R1063 | | NRSA6AJ-102W | MG RESISTOR | 1kΩ,1/16W |
| | D4101 | 1SS355 | DIODE | R1064 | | NRSA6AJ-473W | MG RESISTOR | 47kΩ,1/16W |
| △ | D6001 | RB706D-40-X | SB DIODE | R1067 | | NRSA6AJ-102W | MG RESISTOR | 1kΩ,1/16W |
| | D6002 | RB715F | SB DIODE | R1068 | | NRSA6AJ-102W | MG RESISTOR | 1kΩ,1/16W |
| | D6101 | EP10LA03 | SB DIODE | R1080 | | NRSA6AJ-0R0W | MG RESISTOR | 0Ω,1/16W |
| | D6102 | EP10LA03 | SB DIODE | R1082 | | NRSA6AJ-0R0W | MG RESISTOR | 0Ω,1/16W |
| | D6103 | EP10LA03 | SB DIODE | R1084 | | NRSA6AJ-0R0W | MG RESISTOR | 0Ω,1/16W |
| | D6106 | EP10LA03 | SB DIODE | R1087 | | NRSA6AJ-104W | MG RESISTOR | 100kΩ,1/16W |
| | D6107 | EP10LA03 | SB DIODE | R1101 | | NRSA6AJ-333W | MG RESISTOR | 33kΩ,1/16W |
| | D6108 | EP10LA03 | SB DIODE | R1102 | | NRSA6AJ-472W | MG RESISTOR | 4.7kΩ,1/16W |
| | D6109 | EP10LA03 | SB DIODE | R1104 | | NRSA6AJ-105W | MG RESISTOR | 1MΩ,1/16W |
| | D6201 | 1SS383 | SB DIODE | R1106 | | NRSA6AJ-105W | MG RESISTOR | 1MΩ,1/16W |
| | D6202 | 1SS383 | SB DIODE | R1107 | | NRSA6AJ-103W | MG RESISTOR | 10kΩ,1/16W |
| | D6203 | MA8091/L/-X | ZENER DIODE | R1108 | | NRSA6AJ-472W | MG RESISTOR | 4.7kΩ,1/16W |
| | R1002 | NRSA6AJ-104W | MG RESISTOR | 100kΩ,1/16W | | | | |
| | R1003 | NRSA6AJ-104W | MG RESISTOR | 100kΩ,1/16W | | | | |
| | R1004 | NRSA6AJ-0R0W | MG RESISTOR | 0Ω,1/16W | | | | |
| | R1005 | NRSA6AJ-102W | MG RESISTOR | 1kΩ,1/16W | | | | |
| | R1006 | NRSA6AJ-102W | MG RESISTOR | 1kΩ,1/16W | | | | |
| | R1007 | NRSA6AJ-473W | MG RESISTOR | 47kΩ,1/16W | | | | |
| | R1009 | NRSA6AJ-393W | MG RESISTOR | 39kΩ,1/16W | | | | |
| | R1010 | NRSA6AJ-473W | MG RESISTOR | 47kΩ,1/16W | | | | |
| | R1011 | NRSA6AJ-102W | MG RESISTOR | 1kΩ,1/16W | | | | |
| | R1012 | NRSA6AJ-223W | MG RESISTOR | 22kΩ,1/16W | | | | |
| | R1013 | NRSA6AJ-102W | MG RESISTOR | 1kΩ,1/16W | | | | |
| | R1015 | NRSA6AJ-102W | MG RESISTOR | 1kΩ,1/16W | | | | |
| | R1016 | NRSA6AJ-102W | MG RESISTOR | 1kΩ,1/16W | | | | |
| | R1017 | NRSA6AJ-103W | MG RESISTOR | 10kΩ,1/16W | | | | |
| | R1018 | NRSA6AJ-822W | MG RESISTOR | 8.2kΩ,1/16W | | | | |
| | R1019 | NRSA6AJ-102W | MG RESISTOR | 1kΩ,1/16W | | | | |
| | R1020 | NRSA6AJ-123W | MG RESISTOR | 12kΩ,1/16W | | | | |
| | R1021 | NRSA6AJ-0R0W | MG RESISTOR | 0Ω,1/16W | | | | |
| | R1023 | NRSA6AJ-0R0W | MG RESISTOR | 0Ω,1/16W | | | | |
| | R1024 | NRSA6AJ-0R0W | MG RESISTOR | 0Ω,1/16W | | | | |
| | R1025 | NRSA6AJ-0R0W | MG RESISTOR | 0Ω,1/16W | | | | |
| | R1028 | NRSA6AJ-102W | MG RESISTOR | 1kΩ,1/16W | | | | |
| | R1030 | NRSA6AJ-102W | MG RESISTOR | 1kΩ,1/16W | | | | |
| | R1031 | NRSA6AJ-102W | MG RESISTOR | 1kΩ,1/16W | | | | |
| | R1032 | NRSA6AJ-0R0W | MG RESISTOR | 0Ω,1/16W | | | | |
| | R1033 | NRSA6AJ-102W | MG RESISTOR | 1kΩ,1/16W | | | | |
| | R1034 | NRSA6AJ-0R0W | MG RESISTOR | 0Ω,1/16W | | | | |
| | R1035 | NRSA6AJ-104W | MG RESISTOR | 100kΩ,1/16W | | | | |
| | R1036 | NRSA63J-0R0X | MG RESISTOR | 0Ω,1/16W | | | | |
| | R1037 | NRSA6AJ-103W | MG RESISTOR | 10kΩ,1/16W | | | | |
| | R1038 | NRSA6AJ-103W | MG RESISTOR | 10kΩ,1/16W | | | | |
| | R1039 | NRSA6AJ-102W | MG RESISTOR | 1kΩ,1/16W | | | | |
| | R1040 | NRSA6AJ-102W | MG RESISTOR | 1kΩ,1/16W | | | | |
| | R1041 | NRSA6AJ-104W | MG RESISTOR | 100kΩ,1/16W | | | | |
| | R1042 | NRSA6AJ-473W | MG RESISTOR | 47kΩ,1/16W | | | | |
| | R1043 | NRSA6AJ-103W | MG RESISTOR | 10kΩ,1/16W | | | | |
| | R1044 | NRSA6AJ-472W | MG RESISTOR | 4.7kΩ,1/16W | | | | |
| | R1045 | NRSA6AJ-222W | MG RESISTOR | 2.2kΩ,1/16W | | | | |
| | R1047 | NRSA6AD-473W | MG RESISTOR | 47kΩ,1/16W | | | | |
| | R1048 | NRSA6AJ-104W | MG RESISTOR | 100kΩ,1/16W | | | | |
| | R1050 | NRSA6AJ-104W | MG RESISTOR | 100kΩ,1/16W | | | | |
| | R1052 | NRSA6AJ-103W | MG RESISTOR | 10kΩ,1/16W | | | | |
| | R1053 | NRSA6AJ-0R0W | MG RESISTOR | 0Ω,1/16W | | | | |
| | R1054 | NRSA6AJ-0R0W | MG RESISTOR | 0Ω,1/16W | | | | |
| | R1055 | NRSA6AJ-101W | MG RESISTOR | 100Ω,1/16W | | | | |
| | R1056 | NRSA6AJ-101W | MG RESISTOR | 100Ω,1/16W | | | | |
| | R1058 | NRSA6AJ-0R0W | MG RESISTOR | 0Ω,1/16W | | | | |
| | R1063 | NRSA6AJ-102W | MG RESISTOR | 1kΩ,1/16W | | | | |
| | R1064 | NRSA6AJ-473W | MG RESISTOR | 47kΩ,1/16W | | | | |
| | R1067 | NRSA6AJ-102W | MG RESISTOR | 1kΩ,1/16W | | | | |
| | R1068 | NRSA6AJ-102W | MG RESISTOR | 1kΩ,1/16W | | | | |
| | R1080 | NRSA6AJ-0R0W | MG RESISTOR | 0Ω,1/16W | | | | |
| | R1082 | NRSA6AJ-0R0W | MG RESISTOR | 0Ω,1/16W | | | | |
| | R1084 | NRSA6AJ-0R0W | MG RESISTOR | 0Ω,1/16W | | | | |
| | R1087 | NRSA6AJ-104W | MG RESISTOR | 100kΩ,1/16W | | | | |
| | R1101 | NRSA6AJ-333W | MG RESISTOR | 33kΩ,1/16W | | | | |
| | R1102 | NRSA6AJ-472W | MG RESISTOR | 4.7kΩ,1/16W | | | | |
| | R1104 | NRSA6AJ-105W | MG RESISTOR | 1MΩ,1/16W | | | | |
| | R1106 | NRSA6AJ-105W | MG RESISTOR | 1MΩ,1/16W | | | | |
| | R1107 | NRSA6AJ-103W | MG RESISTOR | 10kΩ,1/16W | | | | |
| | R1108 | NRSA6AJ-472W | MG RESISTOR | 4.7kΩ,1/16W | | | | |
| | R1109 | NRSA6AJ-103W | MG RESISTOR | 10kΩ,1/16W | | | | |
| | R1401 | NRSA6AJ-102W | MG RESISTOR | 1kΩ,1/16W | | | | |
| | R1402 | NRSA6AJ-222W | MG RESISTOR | 2.2kΩ,1/16W | | | | |
| | R1403 | NRSA6AJ-222W | MG RESISTOR | 2.2kΩ,1/16W | | | | |
| | R1404 | NRSA6AJ-0R0W | MG RESISTOR | 0Ω,1/16W | | | | |
| | R1408 | NRSA6AJ-472W | MG RESISTOR | 4.7kΩ,1/16W | | | | |
| | R1409 | NRSA6AJ-331W | MG RESISTOR | 330Ω,1/16W | | | | |
| | R1410 | NRSA6AJ-331W | MG RESISTOR | 330Ω,1/16W | | | | |
| | R1411 | NRSA6AJ-473W | MG RESISTOR | 47kΩ,1/16W | | | | |
| | R1412 | NRSA6AJ-331W | MG RESISTOR | 330Ω,1/16W | | | | |
| | R1415 | NRSA6AJ-0R0W | MG RESISTOR | 0Ω,1/16W | | | | |
| | R1417 | NRSA6AJ-102W | MG RESISTOR | 1kΩ,1/16W | | | | |

| # | △ REF No. | PART No. | PART NAME, DESCRIPTION | # | △ REF No. | PART No. | PART NAME, DESCRIPTION |
|-------|-----------|--------------|-------------------------|-------|-----------|--------------|-------------------------|
| R1418 | | NRSA6AJ-221W | MG RESISTOR 220Ω,1/16W | R1491 | | NRSA6AJ-273W | MG RESISTOR 27kΩ,1/16W |
| R1419 | | NRSA6AJ-221W | MG RESISTOR 220Ω,1/16W | R1495 | | NRSA6AJ-272W | MG RESISTOR 2.7kΩ,1/16W |
| R1420 | | NRSA6AJ-473W | MG RESISTOR 47kΩ,1/16W | R1496 | | NRSA6AJ-182W | MG RESISTOR 1.8kΩ,1/16W |
| R1422 | | NRSA6AJ-332W | MG RESISTOR 3.3kΩ,1/16W | R1497 | | NRSA6AJ-152W | MG RESISTOR 1.5kΩ,1/16W |
| R1423 | | NRSA6AJ-332W | MG RESISTOR 3.3kΩ,1/16W | R1498 | | NRSA6AJ-103W | MG RESISTOR 10kΩ,1/16W |
| R1424 | | NRSA6AJ-332W | MG RESISTOR 3.3kΩ,1/16W | R1499 | | NRSA6AJ-473W | MG RESISTOR 47kΩ,1/16W |
| R1425 | | NRSA6AJ-753W | MG RESISTOR 75kΩ,1/16W | R2701 | | NRSA6AJ-221W | MG RESISTOR 220Ω,1/16W |
| R1426 | | NRSA6AJ-334W | MG RESISTOR 330kΩ,1/16W | R2702 | | NRSA6AJ-100W | MG RESISTOR 10Ω,1/16W |
| R1427 | | NRSA6AJ-103W | MG RESISTOR 10kΩ,1/16W | R2705 | | NRSA6AJ-0R0W | MG RESISTOR 0Ω,1/16W |
| R1428 | | NRSA6AJ-153W | MG RESISTOR 15kΩ,1/16W | R2706 | | NRSA6AJ-104W | MG RESISTOR 100kΩ,1/16W |
| R1429 | | NRSA6AJ-102W | MG RESISTOR 1kΩ,1/16W | R2709 | | NRSA6AJ-221W | MG RESISTOR 220Ω,1/16W |
| R1430 | | NRSA6AJ-102W | MG RESISTOR 1kΩ,1/16W | R2710 | | NRSA6AJ-332W | MG RESISTOR 3.3kΩ,1/16W |
| R1431 | | NRSA6AJ-683W | MG RESISTOR 68kΩ,1/16W | R2711 | | NRSA6AJ-103W | MG RESISTOR 10kΩ,1/16W |
| R1432 | | NRSA6AJ-102W | MG RESISTOR 1kΩ,1/16W | R2712 | | NRSA6AJ-103W | MG RESISTOR 10kΩ,1/16W |
| R1433 | | NRSA6AJ-683W | MG RESISTOR 68kΩ,1/16W | R2713 | | NRSA6AJ-822W | MG RESISTOR 8.2kΩ,1/16W |
| R1434 | | NRSA63J-101X | MG RESISTOR 100Ω,1/16W | R2714 | | NRSA6AJ-822W | MG RESISTOR 8.2kΩ,1/16W |
| R1436 | | NRSA63J-820X | MG RESISTOR 82Ω,1/16W | R2716 | | NRSA6AJ-0R0W | MG RESISTOR 0Ω,1/16W |
| R1438 | | NRSA6AJ-0R0W | MG RESISTOR 0Ω,1/16W | R2719 | | NRSA6AJ-103W | MG RESISTOR 10kΩ,1/16W |
| R1439 | | NRSA6AJ-332W | MG RESISTOR 3.3kΩ,1/16W | R2721 | | NRSA6AJ-103W | MG RESISTOR 10kΩ,1/16W |
| R1440 | | NRSA6AJ-332W | MG RESISTOR 3.3kΩ,1/16W | R2722 | | NRSA6AJ-0R0W | MG RESISTOR 0Ω,1/16W |
| R1441 | | NRSA6AJ-332W | MG RESISTOR 3.3kΩ,1/16W | R2725 | | NRSA6AJ-332W | MG RESISTOR 3.3kΩ,1/16W |
| R1442 | | NRSA6AJ-332W | MG RESISTOR 3.3kΩ,1/16W | R2751 | | NRSA6AJ-820W | MG RESISTOR 82Ω,1/16W |
| R1443 | | NRSA6AJ-0R0W | MG RESISTOR 0Ω,1/16W | R2752 | | NRSA6AJ-820W | MG RESISTOR 82Ω,1/16W |
| R1444 | | NRSA6AJ-0R0W | MG RESISTOR 0Ω,1/16W | R2753 | | NRSA6AJ-104W | MG RESISTOR 100kΩ,1/16W |
| R1447 | | NRSA6AJ-103W | MG RESISTOR 10kΩ,1/16W | R2754 | | NRSA6AJ-104W | MG RESISTOR 100kΩ,1/16W |
| R1448 | | NRSA6AJ-153W | MG RESISTOR 15kΩ,1/16W | R2755 | | NRSA6AJ-104W | MG RESISTOR 100kΩ,1/16W |
| R1449 | | NRSA6AJ-472W | MG RESISTOR 4.7kΩ,1/16W | R2756 | | NRSA6AJ-332W | MG RESISTOR 3.3kΩ,1/16W |
| R1450 | | NRSA6AJ-103W | MG RESISTOR 10kΩ,1/16W | R2757 | | NRSA6AJ-564W | MG RESISTOR 560kΩ,1/16W |
| R1451 | | NRSA6AJ-224W | MG RESISTOR 220kΩ,1/16W | R2758 | | NRSA6AJ-564W | MG RESISTOR 560kΩ,1/16W |
| R1452 | | NRSA6AJ-334W | MG RESISTOR 330kΩ,1/16W | R2759 | | NRSA6AJ-821W | MG RESISTOR 820Ω,1/16W |
| R1453 | | NRSA6AJ-103W | MG RESISTOR 10kΩ,1/16W | R2760 | | NRSA6AJ-821W | MG RESISTOR 820Ω,1/16W |
| R1454 | | NRSA6AJ-474W | MG RESISTOR 470kΩ,1/16W | R2764 | | NRSA6AJ-182W | MG RESISTOR 1.8kΩ,1/16W |
| R1455 | | NRSA6AJ-154W | MG RESISTOR 150kΩ,1/16W | R2766 | | NRSA6AJ-0R0W | MG RESISTOR 0Ω,1/16W |
| R1456 | | NRSA6AJ-473W | MG RESISTOR 47kΩ,1/16W | R2767 | | NRSA6AJ-222W | MG RESISTOR 2.2kΩ,1/16W |
| R1457 | | NRSA6AJ-272W | MG RESISTOR 2.7kΩ,1/16W | R2768 | | NRSA6AJ-564W | MG RESISTOR 560kΩ,1/16W |
| R1458 | | NRSA6AJ-183W | MG RESISTOR 18kΩ,1/16W | R2769 | | NRSA6AJ-152W | MG RESISTOR 1.5kΩ,1/16W |
| R1459 | | NRSA6AJ-472W | MG RESISTOR 4.7kΩ,1/16W | R2770 | | NRSA6AJ-104W | MG RESISTOR 100kΩ,1/16W |
| R1460 | | NRSA6AJ-103W | MG RESISTOR 10kΩ,1/16W | R2771 | | NRSA6AJ-0R0W | MG RESISTOR 0Ω,1/16W |
| R1461 | | NRSA6AJ-104W | MG RESISTOR 100kΩ,1/16W | R2772 | | NRSA6AJ-0R0W | MG RESISTOR 0Ω,1/16W |
| R1462 | | NRSA6AJ-102W | MG RESISTOR 1kΩ,1/16W | R2773 | | NRSA6AJ-0R0W | MG RESISTOR 0Ω,1/16W |
| R1463 | | NRSA6AJ-102W | MG RESISTOR 1kΩ,1/16W | R2774 | | NRSA6AJ-102W | MG RESISTOR 1kΩ,1/16W |
| R1464 | | NRSA6AJ-102W | MG RESISTOR 1kΩ,1/16W | R3001 | | NRSA6AJ-101W | MG RESISTOR 100Ω,1/16W |
| R1465 | | NRSA6AJ-103W | MG RESISTOR 10kΩ,1/16W | R3002 | | NRSA6AJ-105W | MG RESISTOR 1MΩ,1/16W |
| R1466 | | NRSA6AJ-474W | MG RESISTOR 470kΩ,1/16W | R3003 | | NRSA6AJ-471W | MG RESISTOR 470Ω,1/16W |
| R1469 | | NRSA6AJ-102W | MG RESISTOR 1kΩ,1/16W | R3004 | | NRSA6AJ-331W | MG RESISTOR 330Ω,1/16W |
| R1470 | | NRSA6AJ-473W | MG RESISTOR 47kΩ,1/16W | R3006 | | NRSA6AJ-0R0W | MG RESISTOR 0Ω,1/16W |
| R1471 | | NRSA6AJ-102W | MG RESISTOR 1kΩ,1/16W | R3007 | | NRSA6AJ-0R0W | MG RESISTOR 0Ω,1/16W |
| R1472 | | NRSA6AJ-473W | MG RESISTOR 47kΩ,1/16W | R3008 | | NRSA6AJ-0R0W | MG RESISTOR 0Ω,1/16W |
| R1474 | | NRSA6AJ-472W | MG RESISTOR 4.7kΩ,1/16W | R3010 | | NRSA6AJ-0R0W | MG RESISTOR 0Ω,1/16W |
| R1478 | | NRSA63J-0R0X | MG RESISTOR 0Ω,1/16W | R3012 | | NRSA6AJ-0R0W | MG RESISTOR 0Ω,1/16W |
| R1480 | | NRSA6AJ-682W | MG RESISTOR 6.8kΩ,1/16W | R3014 | | NRSA6AJ-124W | MG RESISTOR 120kΩ,1/16W |
| R1481 | | NRSA6AJ-392W | MG RESISTOR 3.9kΩ,1/16W | R3015 | | NRSA6AJ-124W | MG RESISTOR 120kΩ,1/16W |
| R1482 | | NRSA6AJ-272W | MG RESISTOR 2.7kΩ,1/16W | R3016 | | NRSA6AJ-0R0W | MG RESISTOR 0Ω,1/16W |
| R1483 | | NRSA6AJ-182W | MG RESISTOR 1.8kΩ,1/16W | R3017 | | NRSA6AJ-272W | MG RESISTOR 2.7kΩ,1/16W |
| R1484 | | NRSA6AJ-152W | MG RESISTOR 1.5kΩ,1/16W | R3018 | | NRSA6AJ-102W | MG RESISTOR 1kΩ,1/16W |
| R1485 | | NRSA6AJ-103W | MG RESISTOR 10kΩ,1/16W | R3019 | | NRSA6AJ-101W | MG RESISTOR 100Ω,1/16W |
| R1486 | | NRSA6AJ-272W | MG RESISTOR 2.7kΩ,1/16W | R3021 | | NRSA6AJ-0R0W | MG RESISTOR 0Ω,1/16W |
| R1487 | | NRSA6AJ-182W | MG RESISTOR 1.8kΩ,1/16W | R3022 | | NRSA6AJ-0R0W | MG RESISTOR 0Ω,1/16W |
| R1488 | | NRSA6AJ-152W | MG RESISTOR 1.5kΩ,1/16W | R3024 | | NRSA6AJ-100W | MG RESISTOR 10Ω,1/16W |
| R1489 | | NRSA6AJ-103W | MG RESISTOR 10kΩ,1/16W | R3026 | | NRSA6AJ-0R0W | MG RESISTOR 0Ω,1/16W |
| R1490 | | NRSA6AJ-393W | MG RESISTOR 39kΩ,1/16W | R3031 | | NRSA6AJ-472W | MG RESISTOR 4.7kΩ,1/16W |

| # | △ REF No. | PART No. | PART NAME, DESCRIPTION | | # | △ REF No. | PART No. | PART NAME, DESCRIPTION | |
|---|-----------|--------------|------------------------|--------------|---|-----------|--------------|------------------------|--------------|
| | R3032 | NRSA6AJ-682W | MG RESISTOR | 6.8kΩ, 1/16W | | R3342 | NRSA6AJ-102W | MG RESISTOR | 1kΩ, 1/16W |
| | R3033 | NRSA6AJ-105W | MG RESISTOR | 1MΩ, 1/16W | | R3344 | NRSA6AJ-101W | MG RESISTOR | 100Ω, 1/16W |
| | R3036 | NRSA6AJ-105W | MG RESISTOR | 1MΩ, 1/16W | | R3349 | NRSA6AJ-0R0W | MG RESISTOR | 0Ω, 1/16W |
| | R3037 | NRSA6AJ-101W | MG RESISTOR | 100Ω, 1/16W | | R3350 | NRSA6AJ-471W | MG RESISTOR | 470Ω, 1/16W |
| | R3038 | NRSA6AJ-0R0W | MG RESISTOR | 0Ω, 1/16W | | R3351 | NRSA6AJ-102W | MG RESISTOR | 1kΩ, 1/16W |
| | R3039 | NRSA6AJ-0R0W | MG RESISTOR | 0Ω, 1/16W | | R3352 | NRSA6AJ-562W | MG RESISTOR | 5.6kΩ, 1/16W |
| | R3040 | NRSA6AJ-0R0W | MG RESISTOR | 0Ω, 1/16W | | R3353 | NRSA6AJ-473W | MG RESISTOR | 47kΩ, 1/16W |
| | R3041 | NRSA6AJ-0R0W | MG RESISTOR | 0Ω, 1/16W | | R3502 | NRSA6AJ-471W | MG RESISTOR | 470Ω, 1/16W |
| | R3101 | NRSA6AJ-331W | MG RESISTOR | 330Ω, 1/16W | | R3503 | NRSA6AJ-103W | MG RESISTOR | 10kΩ, 1/16W |
| | R3102 | NRSA6AJ-103W | MG RESISTOR | 10kΩ, 1/16W | | R3504 | NRSA6AJ-471W | MG RESISTOR | 470Ω, 1/16W |
| | R3103 | NRSA6AJ-331W | MG RESISTOR | 330Ω, 1/16W | | R3505 | NRSA6AJ-680W | MG RESISTOR | 68Ω, 1/16W |
| | R3104 | NRSA6AJ-394W | MG RESISTOR | 390kΩ, 1/16W | | R3506 | NRSA6AJ-152W | MG RESISTOR | 1.5kΩ, 1/16W |
| | R3105 | NRSA6AJ-104W | MG RESISTOR | 100kΩ, 1/16W | | R3507 | NRSA6AJ-123W | MG RESISTOR | 12kΩ, 1/16W |
| | R3106 | NRSA6AJ-472W | MG RESISTOR | 4.7kΩ, 1/16W | | R3508 | NRSA6AJ-102W | MG RESISTOR | 1kΩ, 1/16W |
| | R3107 | NRSA6AJ-560W | MG RESISTOR | 56Ω, 1/16W | | R3509 | NRSA6AJ-181W | MG RESISTOR | 180Ω, 1/16W |
| | R3108 | NRSA6AJ-560W | MG RESISTOR | 56Ω, 1/16W | | R3510 | NRSA6AJ-181W | MG RESISTOR | 180Ω, 1/16W |
| | R3109 | NRSA6AJ-560W | MG RESISTOR | 56Ω, 1/16W | | R3511 | NRSA6AJ-102W | MG RESISTOR | 1kΩ, 1/16W |
| | R3110 | NRSA6AJ-560W | MG RESISTOR | 56Ω, 1/16W | | R3512 | NRSA6AJ-123W | MG RESISTOR | 12kΩ, 1/16W |
| | R3111 | NRSA6AJ-512W | MG RESISTOR | 5.1kΩ, 1/16W | | R3513 | NRSA6AJ-152W | MG RESISTOR | 1.5kΩ, 1/16W |
| | R3112 | NRSA6AJ-0R0W | MG RESISTOR | 0Ω, 1/16W | | R3514 | NRSA6AJ-680W | MG RESISTOR | 68Ω, 1/16W |
| | R3113 | NRSA6AJ-474W | MG RESISTOR | 470kΩ, 1/16W | | R3515 | NRSA6AJ-100W | MG RESISTOR | 10Ω, 1/16W |
| | R3114 | NRSA6AJ-512W | MG RESISTOR | 5.1kΩ, 1/16W | | R3516 | NRSA6AJ-152W | MG RESISTOR | 1.5kΩ, 1/16W |
| | R3201 | NRSA6AJ-0R0W | MG RESISTOR | 0Ω, 1/16W | | R3517 | NRSA6AJ-102W | MG RESISTOR | 1kΩ, 1/16W |
| | R3202 | NRSA6AJ-0R0W | MG RESISTOR | 0Ω, 1/16W | | R3551 | NRSA6AJ-473W | MG RESISTOR | 47kΩ, 1/16W |
| | R3203 | NRSA6AJ-272W | MG RESISTOR | 2.7kΩ, 1/16W | | R3552 | NRSA6AJ-392W | MG RESISTOR | 3.9kΩ, 1/16W |
| | R3204 | NRSA6AJ-473W | MG RESISTOR | 47kΩ, 1/16W | | R3554 | NRSA6AJ-471W | MG RESISTOR | 470Ω, 1/16W |
| | R3208 | NRSA6AJ-820W | MG RESISTOR | 82Ω, 1/16W | | R3555 | NRSA6AJ-0R0W | MG RESISTOR | 0Ω, 1/16W |
| | R3209 | NRSA6AJ-101W | MG RESISTOR | 100Ω, 1/16W | | R3556 | NRSA6AJ-0R0W | MG RESISTOR | 0Ω, 1/16W |
| | R3211 | NRSA6AJ-105W | MG RESISTOR | 1MΩ, 1/16W | | R3701 | NRSA6AJ-225W | MG RESISTOR | 2.2MΩ, 1/16W |
| | R3303 | NRSA6AJ-823W | MG RESISTOR | 82kΩ, 1/16W | | R3702 | NRSA6AJ-103W | MG RESISTOR | 10kΩ, 1/16W |
| | R3305 | NRSA6AJ-121W | MG RESISTOR | 120Ω, 1/16W | | R3703 | NRSA6AJ-103W | MG RESISTOR | 10kΩ, 1/16W |
| | R3306 | NRSA6AJ-391W | MG RESISTOR | 390Ω, 1/16W | | R3704 | NRSA6AJ-121W | MG RESISTOR | 120Ω, 1/16W |
| | R3308 | NRSA6AJ-152W | MG RESISTOR | 1.5kΩ, 1/16W | | R3705 | NRSA6AJ-121W | MG RESISTOR | 120Ω, 1/16W |
| | R3310 | NRSA6AJ-102W | MG RESISTOR | 1kΩ, 1/16W | | R3706 | NRSA6AJ-821W | MG RESISTOR | 820Ω, 1/16W |
| | R3312 | NRSA6AJ-222W | MG RESISTOR | 2.2kΩ, 1/16W | | R3707 | NRSA6AJ-224W | MG RESISTOR | 220kΩ, 1/16W |
| | R3315 | NRSA6AJ-103W | MG RESISTOR | 10kΩ, 1/16W | | R3708 | NRSA6AJ-103W | MG RESISTOR | 10kΩ, 1/16W |
| | R3316 | NRSA6AJ-0R0W | MG RESISTOR | 0Ω, 1/16W | | R3709 | NRSA6AJ-680W | MG RESISTOR | 68Ω, 1/16W |
| | R3317 | NRSA6AJ-222W | MG RESISTOR | 2.2kΩ, 1/16W | | R3710 | NRSA6AJ-0R0W | MG RESISTOR | 0Ω, 1/16W |
| | R3318 | NRSA6AJ-562W | MG RESISTOR | 5.6kΩ, 1/16W | | R3711 | NRSA6AJ-680W | MG RESISTOR | 68Ω, 1/16W |
| | R3319 | NRSA6AJ-102W | MG RESISTOR | 1kΩ, 1/16W | | R3712 | NRSA6AJ-0R0W | MG RESISTOR | 0Ω, 1/16W |
| | R3320 | NRSA6AJ-102W | MG RESISTOR | 1kΩ, 1/16W | | R3713 | NRSA6AJ-680W | MG RESISTOR | 68Ω, 1/16W |
| | R3322 | NRSA6AJ-222W | MG RESISTOR | 2.2kΩ, 1/16W | | R3714 | NRSA6AJ-0R0W | MG RESISTOR | 0Ω, 1/16W |
| | R3323 | NRSA6AJ-823W | MG RESISTOR | 82kΩ, 1/16W | | R3718 | NRSA6AJ-101W | MG RESISTOR | 100Ω, 1/16W |
| | R3324 | NRSA6AJ-223W | MG RESISTOR | 22kΩ, 1/16W | | R3719 | NRSA6AJ-472W | MG RESISTOR | 4.7kΩ, 1/16W |
| | R3325 | NRSA6AJ-103W | MG RESISTOR | 10kΩ, 1/16W | | R3720 | NRSA6AJ-472W | MG RESISTOR | 4.7kΩ, 1/16W |
| | R3326 | NRSA6AJ-103W | MG RESISTOR | 10kΩ, 1/16W | | R3721 | NRSA6AJ-203W | MG RESISTOR | 20kΩ, 1/16W |
| | R3327 | NRSA6AJ-103W | MG RESISTOR | 10kΩ, 1/16W | | R3722 | NRSA6AJ-103W | MG RESISTOR | 10kΩ, 1/16W |
| | R3328 | NRSA6AJ-822W | MG RESISTOR | 8.2kΩ, 1/16W | | R3723 | NRSA6AJ-103W | MG RESISTOR | 10kΩ, 1/16W |
| | R3329 | NRSA6AJ-105W | MG RESISTOR | 1MΩ, 1/16W | | R3724 | NRSA6AJ-103W | MG RESISTOR | 10kΩ, 1/16W |
| | R3330 | NRSA6AJ-473W | MG RESISTOR | 47kΩ, 1/16W | | R3725 | NRSA6AJ-100W | MG RESISTOR | 10Ω, 1/16W |
| | R3331 | NRSA6AJ-473W | MG RESISTOR | 47kΩ, 1/16W | | R3726 | NRSA6AJ-100W | MG RESISTOR | 10Ω, 1/16W |
| | R3332 | NRSA6AJ-823W | MG RESISTOR | 82kΩ, 1/16W | | R3727 | NRSA6AJ-680W | MG RESISTOR | 68Ω, 1/16W |
| | R3333 | NRSA6AJ-333W | MG RESISTOR | 33kΩ, 1/16W | | R3728 | NRSA6AJ-821W | MG RESISTOR | 820Ω, 1/16W |
| | R3334 | NRSA6AJ-105W | MG RESISTOR | 1MΩ, 1/16W | | R3731 | NRVA6AD-681W | CMF RESISTOR | 680Ω, 1/16W |
| | R3335 | NRSA6AJ-822W | MG RESISTOR | 8.2kΩ, 1/16W | | R3732 | NRVA6AD-472W | CMF RESISTOR | 4.7kΩ, 1/16W |
| | R3336 | NRSA6AJ-103W | MG RESISTOR | 10kΩ, 1/16W | | R3733 | NRVA6AD-332W | CMF RESISTOR | 3.3kΩ, 1/16W |
| | R3337 | NRSA6AJ-103W | MG RESISTOR | 10kΩ, 1/16W | | R3734 | NRSA6AJ-222W | MG RESISTOR | 2.2kΩ, 1/16W |
| | R3338 | NRSA6AJ-153W | MG RESISTOR | 15kΩ, 1/16W | | R3801 | NRSA6AJ-101W | MG RESISTOR | 100Ω, 1/16W |
| | R3339 | NRSA6AJ-273W | MG RESISTOR | 27kΩ, 1/16W | | R3802 | NRSA6AJ-103W | MG RESISTOR | 10kΩ, 1/16W |
| | R3340 | NRSA6AJ-393W | MG RESISTOR | 39kΩ, 1/16W | | R3803 | NRSA6AJ-103W | MG RESISTOR | 10kΩ, 1/16W |
| | R3341 | NRSA6AJ-223W | MG RESISTOR | 22kΩ, 1/16W | | R3804 | NRSA6AJ-101W | MG RESISTOR | 100Ω, 1/16W |

| # | △ REF No. | PART No. | PART NAME, DESCRIPTION | | # | △ REF No. | PART No. | PART NAME, DESCRIPTION | |
|-------|-----------|--------------|------------------------|-------------|-------|-----------|--------------|------------------------|-------------|
| R3805 | | NRSA6AJ-472W | MG RESISTOR | 4.7kΩ,1/16W | R4338 | | NRSA6AJ-470W | MG RESISTOR | 47Ω,1/16W |
| R3806 | | NRSA6AJ-103W | MG RESISTOR | 10kΩ,1/16W | R4339 | | NRSA6AJ-220W | MG RESISTOR | 22Ω,1/16W |
| R3809 | | NRVA6AD-681W | CMF RESISTOR | 680Ω,1/16W | R4340 | | NRSA6AJ-220W | MG RESISTOR | 22Ω,1/16W |
| R3810 | | NRVA6AD-102W | CMF RESISTOR | 1kΩ,1/16W | R4341 | | NRSA6AJ-220W | MG RESISTOR | 22Ω,1/16W |
| R3811 | | NRVA6AD-153W | CMF RESISTOR | 15kΩ,1/16W | R4342 | | NRSA6AJ-220W | MG RESISTOR | 22Ω,1/16W |
| R3812 | | NRVA6AD-123W | CMF RESISTOR | 12kΩ,1/16W | R4345 | | NRSA6AJ-220W | MG RESISTOR | 22Ω,1/16W |
| R3813 | | NRSA6AJ-222W | MG RESISTOR | 2.2kΩ,1/16W | R4348 | | NRSA6AJ-153W | MG RESISTOR | 15kΩ,1/16W |
| R3814 | | NRVA6AD-820W | CMF RESISTOR | 82Ω,1/16W | R4356 | | NRSA6AJ-272W | MG RESISTOR | 2.7kΩ,1/16W |
| R3851 | | NRVA6AD-102W | CMF RESISTOR | 1kΩ,1/16W | R4358 | | NRSA6AJ-272W | MG RESISTOR | 2.7kΩ,1/16W |
| R3852 | | NRSA6AJ-273W | MG RESISTOR | 27kΩ,1/16W | R4360 | | NRSA6AJ-272W | MG RESISTOR | 2.7kΩ,1/16W |
| R3853 | | NRVA6AD-112W | CMF RESISTOR | 1.1kΩ,1/16W | R4362 | | NRSA6AJ-272W | MG RESISTOR | 2.7kΩ,1/16W |
| R3854 | | NRSA6AJ-223W | MG RESISTOR | 22kΩ,1/16W | R4363 | | NRSA6AJ-153W | MG RESISTOR | 15kΩ,1/16W |
| R3855 | | NRSA6AJ-223W | MG RESISTOR | 22kΩ,1/16W | R4364 | | NRSA6AJ-103W | MG RESISTOR | 10kΩ,1/16W |
| R3856 | | NRSA6AJ-681W | MG RESISTOR | 680Ω,1/16W | R4365 | | NRSA6AJ-0R0W | MG RESISTOR | 0Ω,1/16W |
| R3857 | | NRSA6AJ-821W | MG RESISTOR | 820Ω,1/16W | R4367 | | NRSA6AJ-102W | MG RESISTOR | 1kΩ,1/16W |
| R3858 | | NRSA6AJ-821W | MG RESISTOR | 820Ω,1/16W | R4369 | | NRVA6AD-101W | CMF RESISTOR | 100Ω,1/16W |
| R3859 | | NRSA6AJ-102W | MG RESISTOR | 1kΩ,1/16W | R4370 | | NRSA6AJ-102W | MG RESISTOR | 1kΩ,1/16W |
| R3861 | | NRVA6AD-102W | CMF RESISTOR | 1kΩ,1/16W | R4371 | | NRVA6AD-750W | CMF RESISTOR | 75Ω,1/16W |
| R3863 | | NRVA6AD-112W | CMF RESISTOR | 1.1kΩ,1/16W | R4372 | | NRSA6AJ-222W | MG RESISTOR | 2.2kΩ,1/16W |
| R3869 | | NRSA6AJ-102W | MG RESISTOR | 1kΩ,1/16W | R4373 | | NRSA6AJ-222W | MG RESISTOR | 2.2kΩ,1/16W |
| R3870 | | NRSA6AJ-471W | MG RESISTOR | 470Ω,1/16W | R4374 | | NRVA6AD-560W | CMF RESISTOR | 56Ω,1/16W |
| R3871 | | NRSA6AJ-332W | MG RESISTOR | 3.3kΩ,1/16W | R4375 | | NRVA6AD-271W | CMF RESISTOR | 270Ω,1/16W |
| R3873 | | NRSA6AJ-102W | MG RESISTOR | 1kΩ,1/16W | R4376 | | NRSA6AJ-222W | MG RESISTOR | 2.2kΩ,1/16W |
| R3874 | | NRSA6AJ-332W | MG RESISTOR | 3.3kΩ,1/16W | R4377 | | NRVA6AD-270W | CMF RESISTOR | 27Ω,1/16W |
| R3875 | | NRSA6AJ-0R0W | MG RESISTOR | 0Ω,1/16W | R4378 | | NRSA6AJ-222W | MG RESISTOR | 2.2kΩ,1/16W |
| R3876 | | NRSA6AJ-0R0W | MG RESISTOR | 0Ω,1/16W | R4379 | | NRSA6AJ-333W | MG RESISTOR | 33kΩ,1/16W |
| R4101 | | NRSA6AJ-104W | MG RESISTOR | 100kΩ,1/16W | R4381 | | NRSA6AJ-333W | MG RESISTOR | 33kΩ,1/16W |
| R4208 | | NRSA6AJ-223W | MG RESISTOR | 22kΩ,1/16W | R4382 | | NRSA6AJ-333W | MG RESISTOR | 33kΩ,1/16W |
| R4209 | | NRSA6AJ-220W | MG RESISTOR | 22Ω,1/16W | R4383 | | NRSA6AJ-221W | MG RESISTOR | 220Ω,1/16W |
| R4211 | | NRSA6AJ-221W | MG RESISTOR | 220Ω,1/16W | R4384 | | NRSA6AJ-221W | MG RESISTOR | 220Ω,1/16W |
| R4212 | | NRSA6AJ-221W | MG RESISTOR | 220Ω,1/16W | R4385 | | NRSA6AJ-221W | MG RESISTOR | 220Ω,1/16W |
| R4213 | | NRSA6AJ-221W | MG RESISTOR | 220Ω,1/16W | R4386 | | NRSA6AJ-221W | MG RESISTOR | 220Ω,1/16W |
| R4214 | | NRSA6AJ-221W | MG RESISTOR | 220Ω,1/16W | R4387 | | NRSA6AJ-221W | MG RESISTOR | 220Ω,1/16W |
| R4215 | | NRSA6AJ-221W | MG RESISTOR | 220Ω,1/16W | R4388 | | NRSA6AJ-221W | MG RESISTOR | 220Ω,1/16W |
| R4216 | | NRSA6AJ-221W | MG RESISTOR | 220Ω,1/16W | R4389 | | NRSA6AJ-221W | MG RESISTOR | 220Ω,1/16W |
| R4217 | | NRSA6AJ-221W | MG RESISTOR | 220Ω,1/16W | R4390 | | NRSA6AJ-221W | MG RESISTOR | 220Ω,1/16W |
| R4218 | | NRSA6AJ-221W | MG RESISTOR | 220Ω,1/16W | R5005 | | NRSA6AJ-220W | MG RESISTOR | 22Ω,1/16W |
| R4219 | | NRSA6AJ-221W | MG RESISTOR | 220Ω,1/16W | R5006 | | NRSA6AJ-220W | MG RESISTOR | 22Ω,1/16W |
| R4220 | | NRSA6AJ-221W | MG RESISTOR | 220Ω,1/16W | R5007 | | NRSA6AJ-220W | MG RESISTOR | 22Ω,1/16W |
| R4302 | | NRSA6AJ-330W | MG RESISTOR | 33Ω,1/16W | R5009 | | NRSA6AJ-0R0W | MG RESISTOR | 0Ω,1/16W |
| R4303 | | NRSA6AJ-101W | MG RESISTOR | 100Ω,1/16W | R5010 | | NRSA6AJ-330W | MG RESISTOR | 33Ω,1/16W |
| R4304 | | NRSA6AJ-101W | MG RESISTOR | 100Ω,1/16W | R5011 | | NRSA6AJ-330W | MG RESISTOR | 33Ω,1/16W |
| R4305 | | NRSA6AJ-101W | MG RESISTOR | 100Ω,1/16W | R5012 | | NRSA6AJ-220W | MG RESISTOR | 22Ω,1/16W |
| R4306 | | NRSA6AJ-101W | MG RESISTOR | 100Ω,1/16W | R5013 | | NRSA6AJ-0R0W | MG RESISTOR | 0Ω,1/16W |
| R4310 | | NRSA6AJ-0R0W | MG RESISTOR | 0Ω,1/16W | R5014 | | NRSA6AJ-220W | MG RESISTOR | 22Ω,1/16W |
| R4313 | | NRSA6AJ-0R0W | MG RESISTOR | 0Ω,1/16W | R5015 | | NRSA6AJ-220W | MG RESISTOR | 22Ω,1/16W |
| R4314 | | NRSA6AJ-0R0W | MG RESISTOR | 0Ω,1/16W | R5016 | | NRSA6AJ-0R0W | MG RESISTOR | 0Ω,1/16W |
| R4315 | | NRSA6AJ-0R0W | MG RESISTOR | 0Ω,1/16W | R5018 | | NRSA6AJ-330W | MG RESISTOR | 33Ω,1/16W |
| R4316 | | NRSA6AJ-0R0W | MG RESISTOR | 0Ω,1/16W | R5020 | | NRSA6AJ-220W | MG RESISTOR | 22Ω,1/16W |
| R4317 | | NRSA6AJ-0R0W | MG RESISTOR | 0Ω,1/16W | R5021 | | NRSA6AJ-220W | MG RESISTOR | 22Ω,1/16W |
| R4318 | | NRSA6AJ-101W | MG RESISTOR | 100Ω,1/16W | R5022 | | NRSA6AJ-121W | MG RESISTOR | 120Ω,1/16W |
| R4320 | | NRSA6AJ-220W | MG RESISTOR | 22Ω,1/16W | R5024 | | NRSA6AJ-330W | MG RESISTOR | 33Ω,1/16W |
| R4321 | | NRSA6AJ-220W | MG RESISTOR | 22Ω,1/16W | R5025 | | NRSA6AJ-330W | MG RESISTOR | 33Ω,1/16W |
| R4322 | | NRSA6AJ-333W | MG RESISTOR | 33kΩ,1/16W | R5026 | | NRSA6AJ-220W | MG RESISTOR | 22Ω,1/16W |
| R4323 | | NRSA6AJ-333W | MG RESISTOR | 33kΩ,1/16W | R5027 | | NRSA6AJ-330W | MG RESISTOR | 33Ω,1/16W |
| R4327 | | NRSA6AJ-0R0W | MG RESISTOR | 0Ω,1/16W | R5028 | | NRSA6AJ-330W | MG RESISTOR | 33Ω,1/16W |
| R4328 | | NRSA6AJ-220W | MG RESISTOR | 22Ω,1/16W | R6001 | | NRSA6AJ-104W | MG RESISTOR | 100kΩ,1/16W |
| R4329 | | NRSA6AJ-220W | MG RESISTOR | 22Ω,1/16W | R6002 | | NRVA6AD-183W | CMF RESISTOR | 18kΩ,1/16W |
| R4334 | | NRSA6AJ-220W | MG RESISTOR | 22Ω,1/16W | R6003 | | NRSA6AJ-104W | MG RESISTOR | 100kΩ,1/16W |
| R4335 | | NRSA6AJ-220W | MG RESISTOR | 22Ω,1/16W | R6004 | | NRSA6AJ-102W | MG RESISTOR | 1kΩ,1/16W |
| R4336 | | NRSA6AJ-0R0W | MG RESISTOR | 0Ω,1/16W | R6005 | | NRSA6AJ-224W | MG RESISTOR | 220kΩ,1/16W |

| # | △ REF No. | PART No. | PART NAME, DESCRIPTION | | # | △ REF No. | PART No. | PART NAME, DESCRIPTION | |
|---|-----------|--------------|------------------------|--------------|---|-----------|--------------|------------------------|--------------|
| | R6006 | NRSA6AJ-104W | MG RESISTOR | 100kΩ, 1/16W | | R6205 | NRVA6AD-823W | CMF RESISTOR | 82kΩ, 1/16W |
| | R6007 | NRSA6AJ-104W | MG RESISTOR | 100kΩ, 1/16W | | R6206 | NRVA6AD-473W | CMF RESISTOR | 47kΩ, 1/16W |
| | R6009 | NRSA6AJ-222W | MG RESISTOR | 2.2kΩ, 1/16W | | R6207 | NRSA6AJ-222W | MG RESISTOR | 2.2kΩ, 1/16W |
| | R6010 | NRSA6AJ-104W | MG RESISTOR | 100kΩ, 1/16W | | R6209 | NRVA6AD-563W | CMF RESISTOR | 56kΩ, 1/16W |
| | R6011 | NRSA6AJ-104W | MG RESISTOR | 100kΩ, 1/16W | | R6210 | NRVA6AD-683W | CMF RESISTOR | 68kΩ, 1/16W |
| | R6012 | NRVA6AD-823W | CMF RESISTOR | 82kΩ, 1/16W | | R6211 | NRVA6AD-333W | CMF RESISTOR | 33kΩ, 1/16W |
| | R6013 | NRVA6AD-473W | CMF RESISTOR | 47kΩ, 1/16W | | R6212 | NRVA6AD-333W | CMF RESISTOR | 33kΩ, 1/16W |
| △ | R6017 | NRSA63J-102X | MG RESISTOR | 1kΩ, 1/16W | | R6213 | NRVA6AD-333W | CMF RESISTOR | 33kΩ, 1/16W |
| | R6018 | NRSA63J-471X | MG RESISTOR | 470Ω, 1/16W | | R6214 | NRSA6AJ-102W | MG RESISTOR | 1kΩ, 1/16W |
| | R6019 | NRSA63J-0R0X | MG RESISTOR | 0Ω, 1/16W | | R6215 | NRSA6AJ-222W | MG RESISTOR | 2.2kΩ, 1/16W |
| | R6101 | NRVA6AD-183W | CMF RESISTOR | 18kΩ, 1/16W | | R6216 | NRVA6AD-104W | CMF RESISTOR | 100kΩ, 1/16W |
| | R6102 | NRVA6AD-183W | CMF RESISTOR | 18kΩ, 1/16W | | R6217 | NRVA6AD-823W | CMF RESISTOR | 82kΩ, 1/16W |
| | R6103 | NRVA6AD-273W | CMF RESISTOR | 27kΩ, 1/16W | | R6301 | NRSA63J-0R0X | MG RESISTOR | 0Ω, 1/16W |
| | R6104 | NRVA6AD-302W | CMF RESISTOR | 3kΩ, 1/16W | | R6601 | NRSA6AJ-822W | MG RESISTOR, D,E,F | 8.2kΩ, 1/16W |
| | R6105 | NRVA6AD-473W | CMF RESISTOR | 47kΩ, 1/16W | | R6603 | NRVA6AD-683W | CMF RESISTOR, D,E,F | 68kΩ, 1/16W |
| | R6106 | NRVA6AD-242W | CMF RESISTOR | 2.4kΩ, 1/16W | | R6604 | NRVA6AD-104W | CMF RESISTOR, D,E,F | 100kΩ, 1/16W |
| | R6107 | NRVA6AD-432W | CMF RESISTOR | 4.3kΩ, 1/16W | | R6605 | NRSA6AJ-184W | MG RESISTOR, D,E,F | 180kΩ, 1/16W |
| | R6109 | NRVA6AD-822W | CMF RESISTOR | 8.2kΩ, 1/16W | | R6606 | NRSA6AJ-823W | MG RESISTOR, D,E,F | 82kΩ, 1/16W |
| | R6110 | NRVA6AD-473W | CMF RESISTOR | 47kΩ, 1/16W | | R6611 | NRSA6AJ-335W | MG RESISTOR, D,E,F | 3.3MΩ, 1/16W |
| | R6111 | NRVA6AD-243W | CMF RESISTOR | 24kΩ, 1/16W | | R6612 | NRSA6AJ-474W | MG RESISTOR, D,E,F | 470kΩ, 1/16W |
| | R6112 | NRVA6AD-182W | CMF RESISTOR | 1.8kΩ, 1/16W | | R6613 | NRSA6AJ-473W | MG RESISTOR, D,E,F | 47kΩ, 1/16W |
| | R6114 | NRVA6AD-243W | CMF RESISTOR | 24kΩ, 1/16W | | R6614 | NRSA6AJ-473W | MG RESISTOR, D,E,F | 47kΩ, 1/16W |
| | R6115 | NRVA6AD-302W | CMF RESISTOR | 3kΩ, 1/16W | | R6615 | NRSA6AJ-684W | MG RESISTOR, D,E,F | 680kΩ, 1/16W |
| | R6117 | NRVA6AD-512W | CMF RESISTOR | 5.1kΩ, 1/16W | | R6616 | NRSA6AJ-333W | MG RESISTOR, D,E,F | 33kΩ, 1/16W |
| | R6118 | NRVA6AD-472W | CMF RESISTOR | 4.7kΩ, 1/16W | | R8001 | NRSA6AJ-103W | MG RESISTOR, D,E,F | 10kΩ, 1/16W |
| | R6120 | NRVA6AD-153W | CMF RESISTOR | 15kΩ, 1/16W | | R8002 | NRSA6AJ-101W | MG RESISTOR, D,E,F | 100Ω, 1/16W |
| | R6122 | NRVA6AD-623W | CMF RESISTOR | 62kΩ, 1/16W | | R8003 | NRSA6AJ-473W | MG RESISTOR, D,E,F | 47kΩ, 1/16W |
| | R6123 | NRVA63D-682X | CMF RESISTOR | 6.8kΩ, 1/16W | | R8004 | NRSA6AJ-103W | MG RESISTOR, D,E,F | 10kΩ, 1/16W |
| | R6124 | NRVA6AD-223W | CMF RESISTOR | 22kΩ, 1/16W | | R8011 | NRSA6AJ-473W | MG RESISTOR, D,E,F | 47kΩ, 1/16W |
| | R6125 | NRVA6AD-473W | CMF RESISTOR | 47kΩ, 1/16W | | R8012 | NRSA6AJ-0R0W | MG RESISTOR, D,E,F | 0Ω, 1/16W |
| | R6126 | NRVA63D-682X | CMF RESISTOR | 6.8kΩ, 1/16W | | R8015 | NRSA6AJ-0R0W | MG RESISTOR, D,E,F | 0Ω, 1/16W |
| | R6127 | NRVA6AD-223W | CMF RESISTOR | 22kΩ, 1/16W | | R8016 | NRVA6AD-133W | CMF RESISTOR, D,E,F | 13kΩ, 1/16W |
| | R6128 | NRVA6AD-123W | CMF RESISTOR | 12kΩ, 1/16W | | R8017 | NRSA6AJ-0R0W | MG RESISTOR, D,E,F | 0Ω, 1/16W |
| | R6129 | NRVA6AD-473W | CMF RESISTOR | 47kΩ, 1/16W | | R8018 | NRSA6AJ-473W | MG RESISTOR, D,E,F | 47kΩ, 1/16W |
| | R6131 | NRVA6AD-272W | CMF RESISTOR | 2.7kΩ, 1/16W | | R8021 | NRSA6AJ-103W | MG RESISTOR, D,E,F | 10kΩ, 1/16W |
| | R6132 | NRVA6AD-302W | CMF RESISTOR | 3kΩ, 1/16W | | R8022 | NRSA6AJ-101W | MG RESISTOR, D,E,F | 100Ω, 1/16W |
| | R6134 | NRVA6AD-562W | CMF RESISTOR | 5.6kΩ, 1/16W | | R8023 | NRSA6AJ-101W | MG RESISTOR, D,E,F | 100Ω, 1/16W |
| | R6135 | NRVA6AD-102W | CMF RESISTOR | 1kΩ, 1/16W | | R8049 | NRSA6AJ-105W | MG RESISTOR, D,E,F | 1MΩ, 1/16W |
| | R6136 | NRVA6AD-562W | CMF RESISTOR | 5.6kΩ, 1/16W | | R8050 | NRSA6AJ-0R0W | MG RESISTOR, D,E,F | 0Ω, 1/16W |
| | R6138 | NRVA6AD-333W | CMF RESISTOR | 33kΩ, 1/16W | | R8051 | NRSA6AJ-0R0W | MG RESISTOR, D,E,F | 0Ω, 1/16W |
| | R6139 | NRVA6AD-272W | CMF RESISTOR | 2.7kΩ, 1/16W | | R8064 | NRSA6AJ-0R0W | MG RESISTOR, D,E,F | 0Ω, 1/16W |
| | R6140 | NRVA6AD-302W | CMF RESISTOR | 3kΩ, 1/16W | | R8065 | NRSA6AJ-101W | MG RESISTOR, D,E,F | 100Ω, 1/16W |
| | R6142 | NRVA6AD-562W | CMF RESISTOR | 5.6kΩ, 1/16W | | R8069 | NRSA6AJ-0R0W | MG RESISTOR, D,E,F | 0Ω, 1/16W |
| | R6143 | NRVA6AD-682W | CMF RESISTOR | 6.8kΩ, 1/16W | | R8076 | NRSA6AJ-103W | MG RESISTOR, D,E,F | 10kΩ, 1/16W |
| | R6144 | NRVA6AD-392W | CMF RESISTOR | 3.9kΩ, 1/16W | | R8077 | NRSA6AJ-101W | MG RESISTOR, D,E,F | 100Ω, 1/16W |
| | R6146 | NRVA6AD-472W | CMF RESISTOR | 4.7kΩ, 1/16W | | R8101 | NRSA6AJ-473W | MG RESISTOR, D,E,F | 47kΩ, 1/16W |
| | R6147 | NRSA6AJ-4R7W | MG RESISTOR | 4.7Ω, 1/16W | | R8102 | NRSA6AJ-0R0W | MG RESISTOR, D,E,F | 0Ω, 1/16W |
| | R6148 | NRSA6AJ-4R7W | MG RESISTOR | 4.7Ω, 1/16W | | R8104 | NRSA6AJ-473W | MG RESISTOR, D,E,F | 47kΩ, 1/16W |
| | R6151 | NRSA6AJ-4R7W | MG RESISTOR | 4.7Ω, 1/16W | | R8105 | NRSA6AJ-473W | MG RESISTOR, D,E,F | 47kΩ, 1/16W |
| | R6152 | NRSA6AJ-4R7W | MG RESISTOR | 4.7Ω, 1/16W | | R8106 | NRSA6AJ-221W | MG RESISTOR, D,E,F | 220Ω, 1/16W |
| | R6155 | NRSA6AJ-330W | MG RESISTOR | 33Ω, 1/16W | | R8107 | NRSA6AJ-221W | MG RESISTOR, D,E,F | 220Ω, 1/16W |
| | R6156 | NRSA6AJ-4R7W | MG RESISTOR | 4.7Ω, 1/16W | | R8108 | NRSA6AJ-473W | MG RESISTOR, D,E,F | 47kΩ, 1/16W |
| | R6157 | NRSA6AJ-330W | MG RESISTOR | 33Ω, 1/16W | | R8109 | NRSA6AJ-0R0W | MG RESISTOR, D,E,F | 0Ω, 1/16W |
| | R6158 | NRSA6AJ-330W | MG RESISTOR | 33Ω, 1/16W | | R8110 | NRSA6AJ-473W | MG RESISTOR, D,E,F | 47kΩ, 1/16W |
| | R6159 | NRSA6AJ-102W | MG RESISTOR | 1kΩ, 1/16W | | R8111 | NRSA6AJ-0R0W | MG RESISTOR, D,E,F | 0Ω, 1/16W |
| | R6163 | NRSA6AJ-0R0W | MG RESISTOR | 0Ω, 1/16W | | R8112 | NRSA6AJ-0R0W | MG RESISTOR, D,E,F | 0Ω, 1/16W |
| | R6171 | NRSA6AJ-0R0W | MG RESISTOR | 0Ω, 1/16W | | R8113 | NRSA6AJ-0R0W | MG RESISTOR, D,E,F | 0Ω, 1/16W |
| | R6201 | NRSA6AJ-473W | MG RESISTOR | 47kΩ, 1/16W | | R8115 | NRSA6AJ-221W | MG RESISTOR, D,E,F | 220Ω, 1/16W |
| | R6202 | NRVA6AD-273W | CMF RESISTOR | 27kΩ, 1/16W | | R8116 | NRSA6AJ-473W | MG RESISTOR, D,E,F | 47kΩ, 1/16W |
| | R6203 | NRVA6AD-153W | CMF RESISTOR | 15kΩ, 1/16W | | R8117 | NRSA6AJ-473W | MG RESISTOR, D,E,F | 47kΩ, 1/16W |
| | R6204 | NRVA6AD-473W | CMF RESISTOR | 47kΩ, 1/16W | | R8118 | NRSA6AJ-221W | MG RESISTOR, D,E,F | 220Ω, 1/16W |

| # | △ REF No. | PART No. | PART NAME, DESCRIPTION | | # | △ REF No. | PART No. | PART NAME, DESCRIPTION | |
|--------|-----------|--------------|------------------------|-------------|-------|-----------|--------------|------------------------|--------------|
| R8119 | | NRSA6AJ-473W | MG RESISTOR,D,E,F | 47kΩ,1/16W | C1409 | | NCFA1AZ-104W | CAPACITOR | 0.1μF,10V |
| R8120 | | NRSA6AJ-221W | MG RESISTOR,D,E,F | 220Ω,1/16W | C1410 | | NCFA1AZ-104W | CAPACITOR | 0.1μF,10V |
| R8121 | | NRSA6AJ-0R0W | MG RESISTOR,D,E,F | 0Ω,1/16W | C1411 | | NCFA1AZ-104W | CAPACITOR | 0.1μF,10V |
| R8122 | | NRSA6AJ-105W | MG RESISTOR,D,E,F | 1MΩ,1/16W | C1412 | | NCFA1AZ-104W | CAPACITOR | 0.1μF,10V |
| R8124 | | NRSA6AJ-472W | MG RESISTOR,D,E,F | 4.7kΩ,1/16W | C1413 | | NCFA1AZ-104W | CAPACITOR | 0.1μF,10V |
| R8128 | | NRSA6AJ-472W | MG RESISTOR,D,E,F | 4.7kΩ,1/16W | C1414 | | NCBA1CK-103W | CAPACITOR | 0.01μF,16V |
| R8129 | | NRSA6AJ-105W | MG RESISTOR,D,E,F | 1MΩ,1/16W | C1415 | | NCBA1CK-103W | CAPACITOR | 0.01μF,16V |
| R8130 | | NRSA6AJ-101W | MG RESISTOR,D,E,F | 100Ω,1/16W | C1416 | | NCBA1CK-103W | CAPACITOR | 0.01μF,16V |
| R8131 | | NRSA6AJ-0R0W | MG RESISTOR,D,E,F | 0Ω,1/16W | C1420 | | NCBA1CK-103W | CAPACITOR | 0.01μF,16V |
| R8132 | | NRSA6AJ-680W | MG RESISTOR,D,E,F | 68Ω,1/16W | C1421 | | NCBA1CK-103W | CAPACITOR | 0.01μF,16V |
| R8133 | | NRSA6AJ-0R0W | MG RESISTOR,D,E,F | 0Ω,1/16W | C1422 | | NCBA1CK-103W | CAPACITOR | 0.01μF,16V |
| R8134 | | NRSA6AJ-0R0W | MG RESISTOR,D,E,F | 0Ω,1/16W | C1423 | | NCBA1CK-103W | CAPACITOR | 0.01μF,16V |
| R8135 | | NRSA6AJ-0R0W | MG RESISTOR,D,E,F | 0Ω,1/16W | C1424 | | NCBA1CK-103W | CAPACITOR | 0.01μF,16V |
| RA1001 | | NRZ0034-102W | NETWORK RESISTOR | 1kΩ | C1425 | | NCBA1CK-103W | CAPACITOR | 0.01μF,16V |
| RA1002 | | NRZ0034-102W | NETWORK RESISTOR | 1kΩ | C1426 | | NCBA1CK-103W | CAPACITOR | 0.01μF,16V |
| RA1003 | | NRZ0034-104W | NETWORK RESISTOR | 100kΩ | C1427 | | NCBA1CK-223W | CAPACITOR | 0.022μF,16V |
| RA1004 | | NRZ0034-104W | NETWORK RESISTOR | 100kΩ | C1428 | | NCBA1CK-223W | CAPACITOR | 0.022μF,16V |
| RA1005 | | NRZ0034-102W | NETWORK RESISTOR | 1kΩ | C1429 | | NCBA1CK-223W | CAPACITOR | 0.022μF,16V |
| RA1401 | | NRZ0034-473W | NETWORK RESISTOR | 47kΩ | C1430 | | NCBA1CK-223W | CAPACITOR | 0.022μF,16V |
| RA1402 | | NRZ0034-102W | NETWORK RESISTOR | 1kΩ | C1431 | | NCB30JK-105X | CAPACITOR | 1μF,6.3V |
| RA1403 | | NRZ0034-102W | NETWORK RESISTOR | 1kΩ | C1440 | | NCBA1CK-103W | CAPACITOR | 0.01μF,16V |
| RA1404 | | NRZ0034-102W | NETWORK RESISTOR | 1kΩ | C1441 | | NCBA1CK-103W | CAPACITOR | 0.01μF,16V |
| RA1405 | | NRZ0034-102W | NETWORK RESISTOR | 1kΩ | C2704 | | NCB31CK-473X | CAPACITOR | 0.047μF,16V |
| RA4301 | | NRZ0034-221W | NETWORK RESISTOR,D,E,F | 220Ω | C2705 | | NCBA1AK-104W | CAPACITOR | 0.1μF,10V |
| RA4302 | | NRZ0034-221W | NETWORK RESISTOR,D,E,F | 220Ω | C2751 | | NBE20JM-106X | T CAPACITOR | 10μF,6.3V |
| RA4303 | | NRZ0034-221W | NETWORK RESISTOR,D,E,F | 220Ω | C2752 | | PECA1172 | E CAPACITOR | 47μF,6.3V |
| RA4304 | | NRZ0034-221W | NETWORK RESISTOR,D,E,F | 220Ω | C2753 | | NCB30JK-105X | CAPACITOR | 1μF,6.3V |
| RA4307 | | NRZ0034-221W | NETWORK RESISTOR | 220Ω | C2754 | | NCB30JK-105X | CAPACITOR | 1μF,6.3V |
| RA4308 | | NRZ0034-221W | NETWORK RESISTOR | 220Ω | C2756 | | NCB31HK-102X | CAPACITOR | 0.001μF,50V |
| RA8001 | | NRZ0034-100W | NETWORK RESISTOR,D,E,F | 10Ω | C2757 | | NCB31HK-822X | CAPACITOR | 0.0082μF,50V |
| RA8002 | | NRZ0034-100W | NETWORK RESISTOR,D,E,F | 10Ω | C2758 | | NBE81AM-106X | T CAPACITOR | 10μF,10V |
| RA8003 | | NRZ0034-100W | NETWORK RESISTOR,D,E,F | 10Ω | C2762 | | NCF31AZ-105X | CAPACITOR | 1μF,10V |
| RA8004 | | NRZ0034-100W | NETWORK RESISTOR,D,E,F | 10Ω | C2763 | | NBE40JM-476X | T CAPACITOR | 47μF,6.3V |
| C1003 | | NCBA1AK-104W | CAPACITOR | 0.1μF,10V | C2764 | | NCBA1AK-104W | CAPACITOR | 0.1μF,10V |
| C1005 | | NDCA1HJ-330W | CAPACITOR | 33pF,50V | C2765 | | NDCA1HJ-101W | CAPACITOR | 100pF,50V |
| C1006 | | NDCA1HJ-150W | CAPACITOR | 15pF,50V | C3001 | | NBE90GM-226X | T CAPACITOR | 22μF,4.0V |
| C1007 | | NCBA1AK-104W | CAPACITOR | 0.1μF,10V | C3003 | | NCB30JK-105X | CAPACITOR | 1μF,6.3V |
| C1008 | | NCBA1CK-103W | CAPACITOR | 0.01μF,16V | C3004 | | NBE90JM-106X | T CAPACITOR | 10μF,6.3V |
| C1009 | | NCBA1AK-104W | CAPACITOR | 0.1μF,10V | C3005 | | NDCA1HJ-8R0W | CAPACITOR | 8pF,50V |
| C1010 | | NCBA1AK-104W | CAPACITOR | 0.1μF,10V | C3006 | | NDCA1HJ-8R0W | CAPACITOR | 8pF,50V |
| C1011 | | NCBA1AK-104W | CAPACITOR | 0.1μF,10V | C3007 | | NCFA1AZ-104W | CAPACITOR | 0.1μF,10V |
| C1012 | | NCBA1AK-104W | CAPACITOR | 0.1μF,10V | C3010 | | NCFA1AZ-104W | CAPACITOR | 0.1μF,10V |
| C1013 | | NDCA1HJ-130W | CAPACITOR | 13pF,50V | C3011 | | NCFA1AZ-104W | CAPACITOR | 0.1μF,10V |
| C1015 | | NCBA1CK-103W | CAPACITOR | 0.01μF,16V | C3012 | | NCFA1AZ-104W | CAPACITOR | 0.1μF,10V |
| C1017 | | NCBA1AK-104W | CAPACITOR | 0.1μF,10V | C3013 | | NCFA1AZ-104W | CAPACITOR | 0.1μF,10V |
| C1019 | | NCBA1AK-104W | CAPACITOR | 0.1μF,10V | C3014 | | NCFA1AZ-104W | CAPACITOR | 0.1μF,10V |
| C1020 | | NCBA1AK-104W | CAPACITOR | 0.1μF,10V | C3015 | | NCFA1AZ-104W | CAPACITOR | 0.1μF,10V |
| C1022 | | NBM90JM-226X | T CAPACITOR | 22μF,6.3V | C3016 | | NCFA1AZ-104W | CAPACITOR | 0.1μF,10V |
| C1023 | | NBM90JM-226X | T CAPACITOR | 22μF,6.3V | C3017 | | NCBA1CK-103W | CAPACITOR | 0.01μF,16V |
| C1101 | | NCBA1AK-104W | CAPACITOR | 0.1μF,10V | C3018 | | NCBA1AK-104W | CAPACITOR | 0.1μF,10V |
| C1102 | | NCBA1CK-223W | CAPACITOR | 0.022μF,16V | C3019 | | NCBA1CK-103W | CAPACITOR | 0.01μF,16V |
| C1103 | | NCBA1CK-223W | CAPACITOR | 0.022μF,16V | C3021 | | NCB21CK-474X | CAPACITOR | 0.47μF,16V |
| C1111 | | NCB30JK-105X | CAPACITOR | 1μF,6.3V | C3032 | | NCBA1AK-104W | CAPACITOR | 0.1μF,10V |
| C1112 | | NBE90JM-106X | T CAPACITOR | 10μF,6.3V | C3041 | | NCBA1CK-103W | CAPACITOR | 0.01μF,16V |
| C1113 | | NBE90JM-106X | T CAPACITOR | 10μF,6.3V | C3042 | | NCFA1AZ-104W | CAPACITOR | 0.1μF,10V |
| C1401 | | NBE90JM-106X | T CAPACITOR | 10μF,6.3V | C3046 | | NCBA1CK-103W | CAPACITOR | 0.01μF,16V |
| C1402 | | NBE90JM-106X | T CAPACITOR | 10μF,6.3V | C3047 | | NCBA1AK-104W | CAPACITOR | 0.1μF,10V |
| C1403 | | NCBA1CK-103W | CAPACITOR | 0.01μF,16V | C3101 | | NCBA1AK-104W | CAPACITOR | 0.1μF,10V |
| C1405 | | NCFA1AZ-104W | CAPACITOR | 0.1μF,10V | C3104 | | NDCA1EJ-271W | CAPACITOR | 270pF,25V |
| C1406 | | NCFA1AZ-104W | CAPACITOR | 0.1μF,10V | C3105 | | NCB30JK-105X | CAPACITOR | 1μF,6.3V |
| C1408 | | NCFA1AZ-104W | CAPACITOR | 0.1μF,10V | C3106 | | NCB30JK-105X | CAPACITOR | 1μF,6.3V |

| # | △ REF No. | PART No. | PART NAME, DESCRIPTION | # | △ REF No. | PART No. | PART NAME, DESCRIPTION |
|-------|-----------|--------------|------------------------|-------|-----------|--------------|------------------------|
| C3107 | | NCB30JK-105X | CAPACITOR 1μF,6.3V | C3507 | | NBE90JM-106X | T CAPACITOR 10μF,6.3V |
| C3108 | | NCBA1AK-104W | CAPACITOR 0.1μF,10V | C3508 | | NDCA1HJ-330W | CAPACITOR 33pF,50V |
| C3109 | | NCBA1AK-104W | CAPACITOR 0.1μF,10V | C3509 | | NCBA1CK-103W | CAPACITOR 0.01μF,16V |
| C3110 | | NCBA1CK-103W | CAPACITOR 0.01μF,16V | C3510 | | NCBA1CK-103W | CAPACITOR 0.01μF,16V |
| C3111 | | NBE90JM-106X | T CAPACITOR 10μF,6.3V | C3511 | | NDCA1HJ-220W | CAPACITOR 22pF,50V |
| C3112 | | NBE90JM-106X | T CAPACITOR 10μF,6.3V | C3512 | | NBE90JM-106X | T CAPACITOR 10μF,6.3V |
| C3201 | | NBE90JM-106X | T CAPACITOR 10μF,6.3V | C3513 | | NCBA1CK-103W | CAPACITOR 0.01μF,16V |
| C3202 | | NCB30JK-105X | CAPACITOR 1μF,6.3V | C3514 | | NBE90JM-106X | T CAPACITOR 10μF,6.3V |
| C3203 | | NBZ0001-106X | T CAPACITOR 10μF,6.3V | C3515 | | NDCA1HJ-220W | CAPACITOR 22pF,50V |
| C3205 | | NCFA1AZ-104W | CAPACITOR 0.1μF,10V | C3516 | | NCBA1CK-103W | CAPACITOR 0.01μF,16V |
| C3206 | | NCFA1AZ-104W | CAPACITOR 0.1μF,10V | C3517 | | NCBA1CK-103W | CAPACITOR 0.01μF,16V |
| C3207 | | NCFA1AZ-104W | CAPACITOR 0.1μF,10V | C3518 | | NDCA1HJ-330W | CAPACITOR 33pF,50V |
| C3208 | | NCFA1AZ-104W | CAPACITOR 0.1μF,10V | C3519 | | NBE90JM-106X | T CAPACITOR 10μF,6.3V |
| C3209 | | NCBA1AK-104W | CAPACITOR 0.1μF,10V | C3520 | | NCBA1HK-152W | CAPACITOR 0.0015μF,50V |
| C3210 | | NCFA1AZ-104W | CAPACITOR 0.1μF,10V | C3521 | | NCBA1HK-122W | CAPACITOR 0.0012μF,50V |
| C3211 | | NCFA1AZ-104W | CAPACITOR 0.1μF,10V | C3522 | | NCBA1CK-103W | CAPACITOR 0.01μF,16V |
| C3212 | | NCFA1AZ-104W | CAPACITOR 0.1μF,10V | C3523 | | NCBA1CK-103W | CAPACITOR 0.01μF,16V |
| C3213 | | NCBA1CK-103W | CAPACITOR 0.01μF,16V | C3524 | | NDCA1HJ-470W | CAPACITOR 47pF,50V |
| C3214 | | NCBA1AK-104W | CAPACITOR 0.1μF,10V | C3525 | | NCBA1HK-681W | CAPACITOR 680pF,50V |
| C3215 | | NCFA1AZ-104W | CAPACITOR 0.1μF,10V | C3526 | | NBE90JM-106X | T CAPACITOR 10μF,6.3V |
| C3216 | | NCFA1AZ-104W | CAPACITOR 0.1μF,10V | C3527 | | NBE90JM-106X | T CAPACITOR 10μF,6.3V |
| C3217 | | NCFA1AZ-104W | CAPACITOR 0.1μF,10V | C3528 | | NBE90JM-106X | T CAPACITOR 10μF,6.3V |
| C3218 | | NCBA1AK-104W | CAPACITOR 0.1μF,10V | C3529 | | NCBA1AK-104W | CAPACITOR 0.1μF,10V |
| C3221 | | NCBA1CK-103W | CAPACITOR 0.01μF,16V | C3551 | | NBE40JM-476X | T CAPACITOR 47μF,6.3V |
| C3222 | | NCFA1AZ-104W | CAPACITOR 0.1μF,10V | C3552 | | NCBA1CK-103W | CAPACITOR 0.01μF,16V |
| C3301 | | NCB30JK-105X | CAPACITOR 1μF,6.3V | C3702 | | NCBA1CK-103W | CAPACITOR 0.01μF,16V |
| C3302 | | NBE90JM-106X | T CAPACITOR 10μF,6.3V | C3703 | | NCBA1CK-103W | CAPACITOR 0.01μF,16V |
| C3303 | | NBE90JM-106X | T CAPACITOR 10μF,6.3V | C3704 | | NBE90JM-106X | T CAPACITOR 10μF,6.3V |
| C3304 | | NCB30JK-105X | CAPACITOR 1μF,6.3V | C3705 | | NBE40GM-107X | T CAPACITOR 100μF,4.0V |
| C3305 | | NCBA1CK-103W | CAPACITOR 0.01μF,16V | C3706 | | NBE90GM-226X | T CAPACITOR 22μF,4.0V |
| C3306 | | NCBA1CK-103W | CAPACITOR 0.01μF,16V | C3707 | | NBZ0002-227X | T CAPACITOR 220μF,2.5V |
| C3308 | | NCBA1CK-103W | CAPACITOR 0.01μF,16V | C3708 | | NBZ0002-227X | T CAPACITOR 220μF,2.5V |
| C3309 | | NCBA1HK-102W | CAPACITOR 0.001μF,50V | C3709 | | NCBA1CK-103W | CAPACITOR 0.01μF,16V |
| C3310 | | NDCA1HJ-151W | CAPACITOR 150pF,50V | C3710 | | NCBA1AK-104W | CAPACITOR 0.1μF,10V |
| C3311 | | NCBA1CK-103W | CAPACITOR 0.01μF,16V | C3711 | | NCBA1AK-104W | CAPACITOR 0.1μF,10V |
| C3312 | | NCBA1CK-103W | CAPACITOR 0.01μF,16V | C3712 | | NCBA1CK-103W | CAPACITOR 0.01μF,16V |
| C3313 | | NCBA1AK-104W | CAPACITOR 0.1μF,10V | C3713 | | NCBA1CK-103W | CAPACITOR 0.01μF,16V |
| C3314 | | NCBA1CK-103W | CAPACITOR 0.01μF,16V | C3714 | | NCBA1CK-103W | CAPACITOR 0.01μF,16V |
| C3315 | | NCBA1CK-103W | CAPACITOR 0.01μF,16V | C3715 | | NBE90JM-106X | T CAPACITOR 10μF,6.3V |
| C3316 | | NCB20JK-225X | CAPACITOR 2.2μF,6.3V | C3717 | | NCBA1CK-103W | CAPACITOR 0.01μF,16V |
| C3317 | | NCBA1AK-104W | CAPACITOR 0.1μF,10V | C3721 | | NBE20JM-226X | T CAPACITOR 22μF,6.3V |
| C3318 | | NCBA1AK-683W | CAPACITOR 0.068μF,10V | C3722 | | NCB30JK-105X | CAPACITOR 1μF,6.3V |
| C3319 | | NCB20JK-225X | CAPACITOR 2.2μF,6.3V | C3723 | | NBE90JM-106X | T CAPACITOR 10μF,6.3V |
| C3320 | | NCBA1AK-333W | CAPACITOR 0.033μF,10V | C3724 | | NCBA1CK-103W | CAPACITOR 0.01μF,16V |
| C3321 | | NCBA1CK-103W | CAPACITOR 0.01μF,16V | C3731 | | NDCA1HJ-120W | CAPACITOR 12pF,50V |
| C3322 | | NCBA1AK-104W | CAPACITOR 0.1μF,10V | C3732 | | NDCA1HJ-150W | CAPACITOR 15pF,50V |
| C3324 | | NCBA1CK-103W | CAPACITOR 0.01μF,16V | C3733 | | NDCA1HJ-470W | CAPACITOR 47pF,50V |
| C3325 | | NCBA1CK-103W | CAPACITOR 0.01μF,16V | C3734 | | NDCA1HJ-390W | CAPACITOR 39pF,50V |
| C3326 | | NCBA1AK-104W | CAPACITOR 0.1μF,10V | C3735 | | NCBA1CK-103W | CAPACITOR 0.01μF,16V |
| C3327 | | NCBA1AK-104W | CAPACITOR 0.1μF,10V | C3736 | | NCB31CK-104X | CAPACITOR 0.1μF,16V |
| C3328 | | NCBA1AK-104W | CAPACITOR 0.1μF,10V | C3801 | | NBE90JM-106X | T CAPACITOR 10μF,6.3V |
| C3329 | | NCBA1CK-103W | CAPACITOR 0.01μF,16V | C3802 | | NCBA1AK-104W | CAPACITOR 0.1μF,10V |
| C3330 | | NDCA1HJ-100W | CAPACITOR 10pF,50V | C3803 | | NBE90JM-106X | T CAPACITOR 10μF,6.3V |
| C3331 | | NCBA1AK-104W | CAPACITOR 0.1μF,10V | C3804 | | NCBA1AK-104W | CAPACITOR 0.1μF,10V |
| C3332 | | NCBA1CK-103W | CAPACITOR 0.01μF,16V | C3805 | | NCBA1CK-103W | CAPACITOR 0.01μF,16V |
| C3501 | | NCBA1CK-103W | CAPACITOR 0.01μF,16V | C3806 | | NCBA1CK-103W | CAPACITOR 0.01μF,16V |
| C3502 | | NCB30JK-105X | CAPACITOR 1μF,6.3V | C3807 | | NCBA1CK-103W | CAPACITOR 0.01μF,16V |
| C3503 | | NCBA1CK-103W | CAPACITOR 0.01μF,16V | C3808 | | NCBA1CK-103W | CAPACITOR 0.01μF,16V |
| C3504 | | NCBA1CK-103W | CAPACITOR 0.01μF,16V | C3809 | | NCBA1AK-104W | CAPACITOR 0.1μF,10V |
| C3505 | | NCBA1CK-103W | CAPACITOR 0.01μF,16V | C3811 | | NCBA1CK-103W | CAPACITOR 0.01μF,16V |
| C3506 | | NCBA1HK-152W | CAPACITOR 0.0015μF,50V | C3812 | | NBE90JM-106X | T CAPACITOR 10μF,6.3V |

| # | △ REF No. | PART No. | PART NAME, DESCRIPTION | # | △ REF No. | PART No. | PART NAME, DESCRIPTION | |
|-------|-----------|--------------|------------------------|-------------|-----------|--------------|------------------------|------------|
| C3813 | | NCBA1CK-103W | CAPACITOR | 0.01μF,16V | C4304 | NBE90JM-106X | T CAPACITOR | 10μF,6.3V |
| C3815 | | NCBA1AK-104W | CAPACITOR | 0.1μF,10V | C4306 | NCB30JK-105X | CAPACITOR | 1μF,6.3V |
| C3816 | | NCBA1AK-104W | CAPACITOR | 0.1μF,10V | C4307 | NBE90JM-106X | T CAPACITOR | 10μF,6.3V |
| C3817 | | NCBA1CK-103W | CAPACITOR | 0.01μF,16V | C4308 | NCBA1AK-104W | CAPACITOR | 0.1μF,10V |
| C3818 | | NBE90JM-106X | T CAPACITOR | 10μF,6.3V | C4309 | NCBA1AK-104W | CAPACITOR | 0.1μF,10V |
| C3819 | | NCBA1AK-104W | CAPACITOR | 0.1μF,10V | C4310 | NCB40GM-226X | T CAPACITOR | 22μF,4.0V |
| C3820 | | NCBA1AK-104W | CAPACITOR | 0.1μF,10V | C4312 | NCBA1AK-104W | CAPACITOR | 0.1μF,10V |
| C3821 | | NCBA1AK-104W | CAPACITOR | 0.1μF,10V | C4313 | NCBA1AK-104W | CAPACITOR | 0.1μF,10V |
| C3822 | | NCBA1CK-103W | CAPACITOR | 0.01μF,16V | C4315 | NCBA1AK-104W | CAPACITOR | 0.1μF,10V |
| C3823 | | NDCA1HJ-680W | CAPACITOR | 68pF,50V | C4316 | NCBA1AK-104W | CAPACITOR | 0.1μF,10V |
| C3824 | | NDCA1HJ-680W | CAPACITOR | 68pF,50V | C4317 | NCBA1AK-104W | CAPACITOR | 0.1μF,10V |
| C3851 | | NBE20JM-226X | T CAPACITOR | 22μF,6.3V | C4318 | NCBA1AK-104W | CAPACITOR | 0.1μF,10V |
| C3852 | | NCBA1CK-103W | CAPACITOR | 0.01μF,16V | C4319 | NCBA1AK-104W | CAPACITOR | 0.1μF,10V |
| C3853 | | NCBA1CK-103W | CAPACITOR | 0.01μF,16V | C4320 | NCBA1AK-104W | CAPACITOR | 0.1μF,10V |
| C3855 | | NCBA1CK-103W | CAPACITOR | 0.01μF,16V | C4321 | NCBA1AK-104W | CAPACITOR | 0.1μF,10V |
| C3856 | | NCB30JK-105X | CAPACITOR | 1μF,6.3V | C4351 | NCBA1AK-104W | CAPACITOR | 0.1μF,10V |
| C3857 | | NCB30JK-105X | CAPACITOR | 1μF,6.3V | C4352 | NCBA1AK-104W | CAPACITOR | 0.1μF,10V |
| C3858 | | NCBA1CK-103W | CAPACITOR | 0.01μF,16V | C4353 | NCB30JK-105X | CAPACITOR | 1μF,6.3V |
| C3861 | | NCB20JK-225X | CAPACITOR | 2.2μF,6.3V | C4355 | NCB30JK-105X | CAPACITOR | 1μF,6.3V |
| C3862 | | NCBA1CK-103W | CAPACITOR | 0.01μF,16V | C4357 | NCB30JK-105X | CAPACITOR | 1μF,6.3V |
| C4101 | | NCF31EZ-104X | CAPACITOR | 0.1μF,25V | C4359 | NCB30JK-105X | CAPACITOR | 1μF,6.3V |
| C4102 | | NBP41EM-475X | T CAPACITOR | 4.7μF,25V | C4361 | NCBA1AK-104W | CAPACITOR | 0.1μF,10V |
| C4103 | | NCF31EZ-104X | CAPACITOR | 0.1μF,25V | C4362 | NCBA1AK-104W | CAPACITOR | 0.1μF,10V |
| C4104 | | NCBA1AK-104W | CAPACITOR | 0.1μF,10V | C4363 | NCBA1AK-104W | CAPACITOR | 0.1μF,10V |
| C4105 | | NBE41AM-476X | T CAPACITOR | 47μF,10V | C4364 | NCBA1AK-104W | CAPACITOR | 0.1μF,10V |
| C4106 | | NCBA1AK-104W | CAPACITOR | 0.1μF,10V | C4365 | NBE90JM-106X | T CAPACITOR | 10μF,6.3V |
| C4107 | | NCBA1AK-104W | CAPACITOR | 0.1μF,10V | C4401 | NBE90GM-226X | T CAPACITOR | 22μF,4.0V |
| C4109 | | NCF31EZ-104X | CAPACITOR | 0.1μF,25V | C4402 | NCBA1CK-103W | CAPACITOR | 0.01μF,16V |
| C4111 | | NBP21VM-105X | T CAPACITOR | 1μF,35V | C5001 | NCBA1AK-104W | CAPACITOR | 0.1μF,10V |
| C4201 | | NBE40JM-476X | T CAPACITOR | 47μF,6.3V | C5002 | NCBA1AK-104W | CAPACITOR | 0.1μF,10V |
| C4202 | | NBE20GM-476X | T CAPACITOR | 47μF,4.0V | C5003 | NBE40JM-476X | T CAPACITOR | 47μF,6.3V |
| C4203 | | NCBA1CK-103W | CAPACITOR | 0.01μF,16V | C5004 | NCBA1AK-104W | CAPACITOR | 0.1μF,10V |
| C4204 | | NCBA1AK-104W | CAPACITOR | 0.1μF,10V | C5005 | NCBA1AK-104W | CAPACITOR | 0.1μF,10V |
| C4205 | | NBE20GM-476X | T CAPACITOR | 47μF,4.0V | C5006 | NCBA1AK-104W | CAPACITOR | 0.1μF,10V |
| C4207 | | NBE90JM-106X | T CAPACITOR | 10μF,6.3V | C5007 | NCB30JK-105X | CAPACITOR | 1μF,6.3V |
| C4208 | | NBE41AM-476X | T CAPACITOR | 47μF,10V | C5008 | NBE90JM-106X | T CAPACITOR | 10μF,6.3V |
| C4209 | | NBE41AM-476X | T CAPACITOR | 47μF,10V | C5009 | NCBA1AK-104W | CAPACITOR | 0.1μF,10V |
| C4210 | | NCBA1AK-104W | CAPACITOR | 0.1μF,10V | C5011 | NCBA1AK-104W | CAPACITOR | 0.1μF,10V |
| C4211 | | NCF31EZ-104X | CAPACITOR | 0.1μF,25V | C5012 | NCBA1AK-104W | CAPACITOR | 0.1μF,10V |
| C4212 | | NBP41DM-106X | T CAPACITOR | 10μF,20V | C5013 | NCBA1AK-104W | CAPACITOR | 0.1μF,10V |
| C4215 | | NCBA1AK-104W | CAPACITOR | 0.1μF,10V | C5014 | NBM90JM-226X | T CAPACITOR | 22μF,6.3V |
| C4216 | | NCBA1AK-104W | CAPACITOR | 0.1μF,10V | C5017 | NCBA1AK-104W | CAPACITOR | 0.1μF,10V |
| C4217 | | NCBA1CK-123W | CAPACITOR | 0.012μF,16V | C5018 | NCB30JK-105X | CAPACITOR | 1μF,6.3V |
| C4218 | | NCBA1AK-104W | CAPACITOR | 0.1μF,10V | C5019 | NCB30JK-105X | CAPACITOR | 1μF,6.3V |
| C4219 | | NCB30JK-474X | CAPACITOR | 0.47μF,6.3V | C5214 | NBE41AM-476X | T CAPACITOR | 47μF,10V |
| C4220 | | NCB30JK-105X | CAPACITOR | 1μF,6.3V | C5215 | NBE41AM-476X | T CAPACITOR | 47μF,10V |
| C4221 | | NCB30JK-105X | CAPACITOR | 1μF,6.3V | C5216 | NBE41AM-476X | T CAPACITOR | 47μF,10V |
| C4222 | | NCB30JK-105X | CAPACITOR | 1μF,6.3V | C5217 | NCF31EZ-104X | CAPACITOR | 0.1μF,25V |
| C4223 | | NCBA1AK-104W | CAPACITOR | 0.1μF,10V | C5218 | NCBA1AK-104W | CAPACITOR | 0.1μF,10V |
| C4224 | | NCB30JK-105X | CAPACITOR | 1μF,6.3V | C6001 | NCBA1AK-104W | CAPACITOR | 0.1μF,10V |
| C4225 | | NCB30JK-105X | CAPACITOR | 1μF,6.3V | C6002 | NCBA1CK-103W | CAPACITOR | 0.01μF,16V |
| C4226 | | NCBA1AK-104W | CAPACITOR | 0.1μF,10V | C6003 | NCBA1AK-104W | CAPACITOR | 0.1μF,10V |
| C4227 | | NCBA1AK-104W | CAPACITOR | 0.1μF,10V | C6004 | NBE90JM-106X | T CAPACITOR | 10μF,6.3V |
| C4228 | | NCBA1CK-103W | CAPACITOR | 0.01μF,16V | C6005 | NBP21CM-685X | T CAPACITOR | 6.8μF,16V |
| C4229 | | NCBA1CK-103W | CAPACITOR | 0.01μF,16V | C6006 | NCF31AZ-105X | CAPACITOR | 1μF,10V |
| C4230 | | NCBA1CK-103W | CAPACITOR | 0.01μF,16V | C6007 | NBE90JM-106X | T CAPACITOR | 10μF,6.3V |
| C4231 | | NCBA1CK-103W | CAPACITOR | 0.01μF,16V | C6008 | NCBA1AK-104W | CAPACITOR | 0.1μF,10V |
| C4233 | | NCBA1CK-103W | CAPACITOR | 0.01μF,16V | C6009 | NCBA1CK-103W | CAPACITOR | 0.01μF,16V |
| C4301 | | NCB30JK-105X | CAPACITOR | 1μF,6.3V | C6101 | NCB31AK-474X | CAPACITOR | 0.47μF,10V |
| C4302 | | NBE90JM-106X | T CAPACITOR | 10μF,6.3V | C6102 | NCB31AK-224X | CAPACITOR | 0.22μF,10V |
| C4303 | | NCBA1AK-104W | CAPACITOR | 0.1μF,10V | C6103 | NCB31CK-104X | CAPACITOR | 0.1μF,16V |

| # | △ REF No. | PART No. | PART NAME, DESCRIPTION | # | △ REF No. | PART No. | PART NAME, DESCRIPTION |
|-------|-----------|----------------|-----------------------------|-------|-----------|--------------|------------------------------|
| C6104 | | NCBA1AK-104W | CAPACITOR 0.1μF,10V | C8006 | | NCBA1AK-104W | CAPACITOR,D,E,F 0.1μF,10V |
| C6106 | | NCBA1AK-104W | CAPACITOR 0.1μF,10V | C8007 | | NBE90JM-106X | T CAPACITOR,D,E,F 10μF,6.3V |
| C6108 | | NCBA1AK-104W | CAPACITOR 0.1μF,10V | C8008 | | NCB30JK-105X | CAPACITOR,D,E,F 1μF,6.3V |
| C6110 | | NCBA1AK-104W | CAPACITOR 0.1μF,10V | C8009 | | NCBA1AK-104W | CAPACITOR,D,E,F 0.1μF,10V |
| C6112 | | NCB31AK-224X | CAPACITOR 0.22μF,10V | C8010 | | NBE90JM-106X | T CAPACITOR,D,E,F 10μF,6.3V |
| C6114 | | NDCA1HJ-100W | CAPACITOR 10pF,50V | C8011 | | NCB30JK-105X | CAPACITOR,D,E,F 1μF,6.3V |
| C6115 | | NDCA1HJ-121W | CAPACITOR 120pF,50V | C8017 | | NCBA1AK-104W | CAPACITOR,D,E,F 0.1μF,10V |
| C6116 | | NCBA1AK-104W | CAPACITOR 0.1μF,10V | C8020 | | NBE90JM-106X | T CAPACITOR,D,E,F 10μF,6.3V |
| C6117 | | NCBA1AK-104W | CAPACITOR 0.1μF,10V | C8021 | | NCBA1CK-103W | CAPACITOR,D,E,F 0.01μF,16V |
| C6118 | | NBP41CM-106X | T CAPACITOR 10μF,16V | C8022 | | NCBA1CK-103W | CAPACITOR,D,E,F 0.01μF,16V |
| C6119 | | NCB31EK-103X | CAPACITOR 0.01μF,25V | C8023 | | NCBA1CK-103W | CAPACITOR,D,E,F 0.01μF,16V |
| C6120 | | NCBA1AK-104W | CAPACITOR 0.1μF,10V | C8024 | | NCBA1CK-103W | CAPACITOR,D,E,F 0.01μF,16V |
| C6122 | | NCBA1AK-104W | CAPACITOR 0.1μF,10V | C8025 | | NCBA1CK-103W | CAPACITOR,D,E,F 0.01μF,16V |
| C6124 | | NCBA1AK-104W | CAPACITOR 0.1μF,10V | C8026 | | NCBA1CK-103W | CAPACITOR,D,E,F 0.01μF,16V |
| C6126 | | NCBA1AK-104W | CAPACITOR 0.1μF,10V | C8027 | | NCBA1CK-103W | CAPACITOR,D,E,F 0.01μF,16V |
| C6128 | | NCB21AK-105X | CAPACITOR 1μF,10V | C8028 | | NCBA1CK-103W | CAPACITOR,D,E,F 0.01μF,16V |
| C6129 | | NCB21AK-105X | CAPACITOR 1μF,10V | C8029 | | NCBA1CK-103W | CAPACITOR,D,E,F 0.01μF,16V |
| C6130 | | NCB21AK-105X | CAPACITOR 1μF,10V | C8030 | | NCBA1CK-103W | CAPACITOR,D,E,F 0.01μF,16V |
| C6131 | | NCB21AK-105X | CAPACITOR 1μF,10V | C8031 | | NCBA1CK-103W | CAPACITOR,D,E,F 0.01μF,16V |
| C6132 | | NBG41AM-106X | T CAPACITOR 10μF,10V | C8032 | | NCBA1CK-103W | CAPACITOR,D,E,F 0.01μF,16V |
| C6133 | | NCB21AK-105X | CAPACITOR 1μF,10V | C8033 | | NCBA1CK-103W | CAPACITOR,D,E,F 0.01μF,16V |
| C6134 | | NCB11AK-225X-A | CAPACITOR 2.2μF,10V | C8034 | | NCBA1CK-103W | CAPACITOR,D,E,F 0.01μF,16V |
| C6135 | | NCB21AK-105X | CAPACITOR 1μF,10V | C8035 | | NCBA1CK-103W | CAPACITOR,D,E,F 0.01μF,16V |
| C6136 | | NCB11AK-475X | CAPACITOR 4.7μF,10V | C8036 | | NCBA1CK-103W | CAPACITOR,D,E,F 0.01μF,16V |
| C6138 | | NCB21AK-105X | CAPACITOR 1μF,10V | C8037 | | NCBA1CK-103W | CAPACITOR,D,E,F 0.01μF,16V |
| C6145 | | NCB21AK-105X | CAPACITOR 1μF,10V | C8038 | | NCBA1CK-103W | CAPACITOR,D,E,F 0.01μF,16V |
| C6146 | | NBG41AM-106X | T CAPACITOR 10μF,10V | C8039 | | NCBA1CK-103W | CAPACITOR,D,E,F 0.01μF,16V |
| C6147 | | NBG41AM-106X | T CAPACITOR 10μF,10V | C8040 | | NCBA1CK-103W | CAPACITOR,D,E,F 0.01μF,16V |
| C6148 | | NCB11AK-475X | CAPACITOR 4.7μF,10V | C8041 | | NCBA1CK-103W | CAPACITOR,D,E,F 0.01μF,16V |
| C6150 | | NCB21AK-105X | CAPACITOR 1μF,10V | C8042 | | NCBA1CK-103W | CAPACITOR,D,E,F 0.01μF,16V |
| C6151 | | NCB10JK-106X | CAPACITOR 10μF,6.3V | C8043 | | NCBA1CK-103W | CAPACITOR,D,E,F 0.01μF,16V |
| C6153 | | NCB21AK-105X | CAPACITOR 1μF,10V | C8044 | | NBE20GM-476X | T CAPACITOR,D,E,F 47μF,4.0V |
| C6154 | | NCB10JK-106X | CAPACITOR 10μF,6.3V | C8045 | | NBE20JM-226X | T CAPACITOR,D,E,F 22μF,6.3V |
| C6156 | | NCB21AK-105X | CAPACITOR 1μF,10V | C8046 | | NBE90JM-106X | T CAPACITOR,D,E,F 10μF,6.3V |
| C6157 | | NCB11AK-475X | CAPACITOR 4.7μF,10V | C8048 | | NBE20GM-476X | T CAPACITOR,D,E,F 47μF,4.0V |
| C6158 | | NCB20JK-225X | CAPACITOR 2.2μF,6.3V | C8049 | | NCBA1CK-103W | CAPACITOR,D,E,F 0.01μF,16V |
| C6159 | | NCB20JK-225X | CAPACITOR 2.2μF,6.3V | C8050 | | NCBA1CK-103W | CAPACITOR,D,E,F 0.01μF,16V |
| C6163 | | NCB21AK-105X | CAPACITOR 1μF,10V | C8051 | | NBE20GM-476X | T CAPACITOR,D,E,F 47μF,4.0V |
| C6201 | | NCB21CK-105X | CAPACITOR 1μF,16V | C8052 | | NCBA1CK-103W | CAPACITOR,D,E,F 0.01μF,16V |
| C6202 | | NCB11EK-105X | CAPACITOR 1μF,25V | C8054 | | NCB31HK-392X | CAPACITOR,D,E,F 0.0039μF,50V |
| C6203 | | NCBA1CK-103W | CAPACITOR 0.01μF,16V | C8056 | | NCBA1CK-103W | CAPACITOR,D,E,F 0.01μF,16V |
| C6204 | | NCB21CK-105X | CAPACITOR 1μF,16V | C8057 | | NCBA1CK-103W | CAPACITOR,D,E,F 0.01μF,16V |
| C6205 | | NCB21CK-105X | CAPACITOR 1μF,16V | C8058 | | NCBA1AK-104W | CAPACITOR,D,E,F 0.1μF,10V |
| C6206 | | NCB11CK-105X | CAPACITOR 1μF,16V | C8059 | | NCBA1CK-103W | CAPACITOR,D,E,F 0.01μF,16V |
| C6207 | | NCB11EK-105X | CAPACITOR 1μF,25V | C8060 | | NCBA1CK-103W | CAPACITOR,D,E,F 0.01μF,16V |
| C6208 | | NCB21CK-105X | CAPACITOR 1μF,16V | C8101 | | NBE90JM-106X | T CAPACITOR,D,E,F 10μF,6.3V |
| C6209 | | NCB21CK-105X | CAPACITOR 1μF,16V | C8102 | | NBE90JM-106X | T CAPACITOR,D,E,F 10μF,6.3V |
| C6210 | | NCB21CK-105X | CAPACITOR 1μF,16V | C8103 | | NCBA1CK-103W | CAPACITOR,D,E,F 0.01μF,16V |
| C6401 | | NCBA1CK-103W | CAPACITOR 0.01μF,16V | C8104 | | NCBA1CK-103W | CAPACITOR,D,E,F 0.01μF,16V |
| C6402 | | NBE91CM-105X | T CAPACITOR 1μF,16V | C8105 | | NCBA1CK-103W | CAPACITOR,D,E,F 0.01μF,16V |
| C6601 | | NCBA1CK-103W | CAPACITOR,D,E,F 0.01μF,16V | C8106 | | NCBA1CK-103W | CAPACITOR,D,E,F 0.01μF,16V |
| C6602 | | NBE90JM-106X | T CAPACITOR,D,E,F 10μF,6.3V | C8107 | | NCBA1CK-103W | CAPACITOR,D,E,F 0.01μF,16V |
| C6603 | | NCBA1HK-102W | CAPACITOR,D,E,F 0.001μF,50V | C8108 | | NCBA1CK-103W | CAPACITOR,D,E,F 0.01μF,16V |
| C6604 | | NCBA1AK-473W | CAPACITOR,D,E,F 0.047μF,10V | C8109 | | NCBA1CK-103W | CAPACITOR,D,E,F 0.01μF,16V |
| C6611 | | NCBA1CK-153W | CAPACITOR,D,E,F 0.015μF,16V | C8110 | | NCBA1CK-103W | CAPACITOR,D,E,F 0.01μF,16V |
| C6612 | | NDCA1EJ-221W | CAPACITOR,D,E,F 220pF,25V | C8111 | | NCBA1CK-103W | CAPACITOR,D,E,F 0.01μF,16V |
| C6613 | | NDCA1EJ-121W | CAPACITOR,D,E,F 120pF,25V | C8112 | | NCBA1CK-103W | CAPACITOR,D,E,F 0.01μF,16V |
| C8001 | | NBE90JM-106X | T CAPACITOR,D,E,F 10μF,6.3V | C8113 | | NCBA1CK-103W | CAPACITOR,D,E,F 0.01μF,16V |
| C8002 | | NCBA1CK-103W | CAPACITOR,D,E,F 0.01μF,16V | C8114 | | NCBA1CK-103W | CAPACITOR,D,E,F 0.01μF,16V |
| C8003 | | NCBA1CK-103W | CAPACITOR,D,E,F 0.01μF,16V | C8115 | | NCBA1CK-103W | CAPACITOR,D,E,F 0.01μF,16V |
| C8004 | | NCBA1CK-103W | CAPACITOR,D,E,F 0.01μF,16V | C8116 | | NCBA1CK-103W | CAPACITOR,D,E,F 0.01μF,16V |

| # | △ REF No. | PART No. | PART NAME, DESCRIPTION | | # | △ REF No. | PART No. | PART NAME, DESCRIPTION | |
|-------|-----------|--------------|------------------------|------------|---------|-----------|----------------|-------------------------|-------|
| C8117 | | NDCA1HJ-5R0W | CAPACITOR,D,E,F | 5pF,50V | L6001 | | NQL402M-100X | COIL | 10μH |
| C8118 | | NDCA1HJ-5R0W | CAPACITOR,D,E,F | 5pF,50V | L6101 | | NQLZ011-4R7X | COIL | 4.7μH |
| C8119 | | NCBA1CK-103W | CAPACITOR,D,E,F | 0.01μF,16V | L6102 | | NQLZ011-4R7X | COIL | 4.7μH |
| L1001 | | NQR0265-001X | FERRITE BEAD | | L6103 | | NQLZ011-4R7X | COIL | 4.7μH |
| L1002 | | NQR0265-001X | FERRITE BEAD | | L6104 | | NQL32CM-220X | COIL | 22μH |
| L1003 | | NQL085J-390X | COIL | 39μH | L6105 | | NQL32CM-220X | COIL | 22μH |
| L1101 | | NQL402M-100X | COIL | 10μH | L6106 | | NQL32CM-100X | COIL | 10μH |
| L1401 | | NQL302N-100X | COIL | 10μH | L6110 | | NQLZ011-390X | COIL | 39μH |
| L1402 | | NRSA02J-0R0X | MG RESISTOR | 0Ω,1/10W | L6112 | | NQL32CM-220X | COIL | 22μH |
| L2701 | | NRSA63J-0R0X | MG RESISTOR | 0Ω,1/16W | L6114 | | NQL32CM-220X | COIL | 22μH |
| L2702 | | NRSA63J-0R0X | MG RESISTOR | 0Ω,1/16W | L6116 | | NQL32CM-100X | COIL | 10μH |
| L3001 | | NQR0305-001X | FERRITE BEAD | | L6117 | | NQL35BK-100X | COIL | 10μH |
| L3002 | | NQR0006-001X | FERRITE BEAD | | L6118 | | NQL35BK-100X | COIL | 10μH |
| L3003 | | NQR0305-001X | FERRITE BEAD | | L6201 | | NQLZ011-221X | COIL | 220μH |
| L3005 | | NQR0305-001X | FERRITE BEAD | | L6601 | | NQL402M-100X | COIL,D,E,F | 10μH |
| L3101 | | NQR0305-001X | FERRITE BEAD | | L8001 | | NQR0129-002X | FERRITE BEAD,D,E,F | |
| L3102 | | NQR0006-001X | FERRITE BEAD | | L8002 | | NQR0129-002X | FERRITE BEAD,D,E,F | |
| L3103 | | NQR0384-003X | COIL | | L8003 | | NQR0129-002X | FERRITE BEAD,D,E,F | |
| L3104 | | NQR0384-003X | COIL | | L8005 | | NQR0129-002X | FERRITE BEAD,D,E,F | |
| L3201 | | NQR0006-001X | FERRITE BEAD | | L8006 | | NQR0129-002X | FERRITE BEAD,D,E,F | |
| L3202 | | NQR0305-001X | FERRITE BEAD | | L8007 | | NQR0129-002X | FERRITE BEAD,D,E,F | |
| L3301 | | NQR0006-001X | FERRITE BEAD | | L8008 | | NQR0129-002X | FERRITE BEAD,D,E,F | |
| L3302 | | NQL04DK-100X | COIL | 10μH | L8010 | | NQR0129-002X | FERRITE BEAD,D,E,F | |
| L3303 | | NQL04DK-100X | COIL | 10μH | L8011 | | NQR0129-002X | FERRITE BEAD,D,E,F | |
| L3304 | | NQR0006-001X | FERRITE BEAD | | L8101 | | NQR0006-001X | FERRITE BEAD,D,E,F | |
| L3501 | | NQL04DK-220X | COIL | 22μH | L8102 | | NQR0006-001X | FERRITE BEAD,D,E,F | |
| L3502 | | NQL04DK-220X | COIL | 22μH | X1001 | | NAX0279-001X | C OSCILLATOR | |
| L3503 | | NQL302N-100X | COIL | 10μH | X1002 | | NAX0267-001X | CRYSTAL RESONATOR | |
| L3504 | | NQL302N-100X | COIL | 10μH | X3001 | | NAX0206-001X | CRYSTAL RESONATOR | |
| L3551 | | NQR0006-001X | FERRITE BEAD | | X3301 | | NAX0296-001X | C OSCILLATOR | |
| L3701 | | NQL302N-100X | COIL | 10μH | X4301 | | NAX0332-001X | CXO | |
| L3731 | | NQL085J-120X | COIL | 12μH | X8002 | | NAX0354-001X | RESONATOR,D,E,F | |
| L3732 | | NQL085J-270X | COIL | 27μH | X8101 | | NAX0402-001X | CRYSTAL RESONATOR,D,E,F | |
| L3801 | | NQR0305-001X | FERRITE BEAD | | S1001 | | NSW0132-001X | DETECT SWITCH | |
| L3802 | | NQR0006-001X | FERRITE BEAD | | S1401 | | NSW0128-001X | LEVER SWITCH | |
| L3851 | | NQL302N-100X | COIL | 10μH | TB1 | | LY31799-001A | BATT.TERMINAL | |
| L4101 | | NQR0129-002X | FERRITE BEAD | | WR1 | | QAL0246-001 | FPC | |
| L4102 | | NQL045K-100X | COIL | 10μH | WR2 | | QAL0239-001 | FPC | |
| L4103 | | NQR0129-002X | FERRITE BEAD | | WR3 | | WJR0016-001C | E-SH C WIRE C-F,A,B,C | |
| L4104 | | NQL045K-100X | COIL | 10μH | J101 | | NNZ0028-001 | D CONNECTOR | |
| L4201 | | NQR0265-001X | FERRITE BEAD | | CN1001 | | QGF0513F1-08X | FPC CONNECTOR | |
| L4202 | | NQL402M-100X | COIL | 10μH | CN1002 | | QGB0401M1-80X | CONNECTOR | |
| L4203 | | NQR0265-001X | FERRITE BEAD | | CN1003 | | QGF0513F2-20X | FPC CONNECTOR | |
| L4204 | | NQL402M-100X | COIL | 10μH | CN1004 | | QGA1001F1-03X | CONNECTOR | |
| L4205 | | NQL402M-100X | COIL | 10μH | CN1005 | | QGF0513F2-06X | FPC CONNECTOR | |
| L4301 | | NQR0265-001X | FERRITE BEAD | | CN1007 | | QGF0301F1-45X | FPC CONNECTOR | |
| L4302 | | NQR0265-001X | FERRITE BEAD | | CN1008 | | QGF0507F1-16X | FPC CONNECTOR | |
| L4303 | | NQR0265-001X | FERRITE BEAD | | CN1009 | | QGA1001F1-02X | CONNECTOR | |
| L4305 | | NQR0265-001X | FERRITE BEAD | | CN1010 | | QGB0506L1-20X | CONNECTOR | |
| L4306 | | NQR0129-002X | FERRITE BEAD | | CN1011 | | QGF0513F1-12X | FPC CONNECTOR,D,E,F | |
| L4351 | | NQL402M-100X | COIL | 10μH | CN1014 | | QGF0301F1-33X | FPC CONNECTOR | |
| L4401 | | NQR0006-001X | FERRITE BEAD | | CN1016 | | QGB0401M1-A0X | CONNECTOR | |
| L5001 | | NQR0129-002X | FERRITE BEAD | | △ F6101 | | NMFZ007-1R6X-K | FUSE | T1.6A |
| L5002 | | NQL045K-100X | COIL | 10μH | △ F6102 | | NMFZ007-R20X-K | FUSE | T0.2A |
| L5003 | | NQR0129-002X | FERRITE BEAD | | △ F6103 | | NMFZ007-1R6X-K | FUSE | T1.6A |
| L5004 | | NQR0129-002X | FERRITE BEAD | | △ F6104 | | NMFZ007-R50X-K | FUSE | T0.5A |
| L5005 | | NQR0129-002X | FERRITE BEAD | | FL3851 | | NQR0344-001X | LOW PASS FILTER | |
| L5201 | | NQR0129-002X | FERRITE BEAD | | FL3852 | | NQR0344-001X | LOW PASS FILTER | |
| L5202 | | NQR0129-002X | FERRITE BEAD | | OT1 | | LY30029-065B | SPACER(A) | |
| L5203 | | NQL045K-100X | COIL | 10μH | OT2 | | LY30029-066A | SPACER(A) | |
| L5204 | | NQL045K-100X | COIL | 10μH | OT3 | | LY42538-001A | SHEET(MAIN) | |

| # | REF No. | PART No. | PART NAME, DESCRIPTION |
|---|---------|--------------|------------------------|
| | OT4 | LY30029-078A | SPACER(A),X2 |
| | OT5 | LY30029-0A7A | SPACER(A),A,C,D |
| | | LY30029-079A | SPACER(A),B,E,F |
| | OT6 | LY30029-082A | SPACER(A) |
| | OT7 | LY30029-0A7A | SPACER(A),X2,C,E,F |
| | | LY30029-0B3A | SPACER(A),A,B,D |
| | SD1 | LY31714-001A | SHIELD CASE |

| # | REF No. | PART No. | PART NAME, DESCRIPTION | |
|---|---------|----------------|------------------------|-------------|
| | Q2603 | 2SC4617/QR/-X | TRANSISTOR | |
| | Q2604 | 2SC4617/QR/-X | TRANSISTOR | |
| | Q2755 | UMX1N | PAIR TRANSISTOR | |
| | Q7401 | UMZ1N | PAIR TRANSISTOR | |
| | D2001 | TLSU1002/LM/-X | LE DIODE | |
| | D2751 | DAN222 | DIODE | |
| | R2001 | NRSA6AJ-471W | MG RESISTOR | 470Ω,1/16W |
| | R2002 | NRVA6AD-103W | CMF RESISTOR | 10kΩ,1/16W |
| | R2003 | NRVA6AD-152W | CMF RESISTOR | 1.5kΩ,1/16W |
| | R2004 | NRVA6AD-182W | CMF RESISTOR | 1.8kΩ,1/16W |
| | R2005 | NRVA6AD-272W | CMF RESISTOR | 2.7kΩ,1/16W |
| | R2101 | NRSA6AJ-471W | MG RESISTOR | 470Ω,1/16W |
| | R2102 | NRSA6AJ-471W | MG RESISTOR | 470Ω,1/16W |
| | R2103 | NRSA6AJ-0R0W | MG RESISTOR | 0Ω,1/16W |
| | R2104 | NRSA6AJ-0R0W | MG RESISTOR | 0Ω,1/16W |
| | R2105 | NRSA6AJ-0R0W | MG RESISTOR | 0Ω,1/16W |
| | R2111 | NRSA6AJ-471W | MG RESISTOR,D,E,F | 470Ω,1/16W |
| | R2112 | NRSA6AJ-471W | MG RESISTOR,D,E,F | 470Ω,1/16W |
| | R2113 | NRSA6AJ-0R0W | MG RESISTOR,D,E,F | 0Ω,1/16W |
| | R2114 | NRSA6AJ-0R0W | MG RESISTOR,D,E,F | 0Ω,1/16W |
| | R2117 | NRSA6AJ-0R0W | MG RESISTOR | 0Ω,1/16W |
| | R2118 | NRSA6AJ-103W | MG RESISTOR,D,E,F | 10kΩ,1/16W |
| | R2119 | NRSA6AJ-103W | MG RESISTOR,D,E,F | 10kΩ,1/16W |
| | R2120 | NRSA6AJ-332W | MG RESISTOR,D,E,F | 3.3kΩ,1/16W |
| | R2121 | NRSA6AJ-564W | MG RESISTOR,D,E,F | 560kΩ,1/16W |
| | R2122 | NRSA6AJ-564W | MG RESISTOR,D,E,F | 560kΩ,1/16W |
| | R2131 | NRSA6AJ-100W | MG RESISTOR | 10Ω,1/16W |
| | R2132 | NRSA6AJ-100W | MG RESISTOR | 10Ω,1/16W |
| | R2133 | NRSA6AJ-100W | MG RESISTOR | 10Ω,1/16W |
| | R2134 | NRSA6AJ-0R0W | MG RESISTOR | 0Ω,1/16W |
| | R2135 | NRSA6AJ-0R0W | MG RESISTOR | 0Ω,1/16W |
| | R2136 | NRSA6AJ-0R0W | MG RESISTOR | 0Ω,1/16W |
| | R2137 | NRSA6AJ-0R0W | MG RESISTOR | 0Ω,1/16W |
| | R2138 | NRSA6AJ-0R0W | MG RESISTOR | 0Ω,1/16W |
| | R2139 | NRSA6AJ-0R0W | MG RESISTOR | 0Ω,1/16W |
| | R2141 | NRSA6AJ-0R0W | MG RESISTOR | 0Ω,1/16W |
| | R2202 | NRSA6AJ-472W | MG RESISTOR | 4.7kΩ,1/16W |
| | R2203 | NRSA6AJ-2R7W | MG RESISTOR | 2.7Ω,1/16W |
| | R2204 | NRSA6AJ-2R7W | MG RESISTOR | 2.7Ω,1/16W |
| | R2205 | NRSA6AJ-823W | MG RESISTOR | 82kΩ,1/16W |
| | R2206 | NRSA6AJ-472W | MG RESISTOR | 4.7kΩ,1/16W |
| | R2208 | NRSA6AJ-392W | MG RESISTOR | 3.9kΩ,1/16W |
| | R2210 | NRSA6AJ-332W | MG RESISTOR | 3.3kΩ,1/16W |
| | R2220 | NRSA6AJ-102W | MG RESISTOR | 1kΩ,1/16W |
| | R2221 | NRSA6AJ-102W | MG RESISTOR | 1kΩ,1/16W |
| | R2224 | NRSA6AJ-222W | MG RESISTOR | 2.2kΩ,1/16W |
| | R2228 | NRSA6AJ-103W | MG RESISTOR | 10kΩ,1/16W |
| | R2229 | NRSA6AJ-0R0W | MG RESISTOR | 0Ω,1/16W |
| | R2234 | NRSA6AJ-332W | MG RESISTOR | 3.3kΩ,1/16W |
| | R2301 | NRSA6AJ-560W | MG RESISTOR | 56Ω,1/16W |
| | R2302 | NRSA6AJ-560W | MG RESISTOR | 56Ω,1/16W |
| | R2303 | NRSA6AJ-0R0W | MG RESISTOR | 0Ω,1/16W |
| | R2305 | NRSA6AJ-183W | MG RESISTOR,D,E,F | 18kΩ,1/16W |
| | | NRSA6AJ-0R0X | MG RESISTOR,A,B,C | 0Ω,1/16W |
| | R2306 | NRSA6AJ-473W | MG RESISTOR | 47kΩ,1/16W |
| | R2307 | NRSA6AJ-183W | MG RESISTOR,D,E,F | 18kΩ,1/16W |
| | R2308 | NRSA6AJ-473W | MG RESISTOR | 47kΩ,1/16W |
| | R2309 | NRSA6AJ-224W | MG RESISTOR,D,E,F | 220kΩ,1/16W |
| | R2311 | NRSA6AJ-473W | MG RESISTOR | 47kΩ,1/16W |
| | R2312 | NRSA6AJ-183W | MG RESISTOR,D,E,F | 18kΩ,1/16W |
| | | NRSA6AJ-0R0X | MG RESISTOR,A,B,C | 0Ω,1/16W |

MMC BOARD ASSEMBLY <06>

| | | | | |
|--|----------|---------------|----------------------|-------------|
| | PW3 | YB10288A3-01 | MMC BOARD ASSY,D,E,F | |
| | | YB10288B3-01 | MMC BOARD ASSY,A,B,C | |
| | R8501 | NRSA63J-103X | MG RESISTOR,D,E,F | 10kΩ,1/16W |
| | R8502 | NRSA63J-473X | MG RESISTOR,D,E,F | 47kΩ,1/16W |
| | R8503 | NRSA63J-103X | MG RESISTOR,D,E,F | 10kΩ,1/16W |
| | R8504 | NRSA63J-104X | MG RESISTOR | 100kΩ,1/16W |
| | R8505 | NRSA63J-0R0X | MG RESISTOR,A,B,C | 0Ω,1/16W |
| | | NRSA63J-153X | MG RESISTOR,D,E,F | 15kΩ,1/16W |
| | R8506 | NRSA63J-333X | MG RESISTOR,A,B,C | 33kΩ,1/16W |
| | | NRSA63J-183X | MG RESISTOR,D,E,F | 18kΩ,1/16W |
| | R8507 | NRSA63J-103X | MG RESISTOR,D,E,F | 10kΩ,1/16W |
| | R8508 | NRSA63J-103X | MG RESISTOR,D,E,F | 10kΩ,1/16W |
| | R8511 | NRSA63J-0R0X | MG RESISTOR,D,E,F | 0Ω,1/16W |
| | R8512 | NRSA63J-0R0X | MG RESISTOR,D,E,F | 0Ω,1/16W |
| | R8513 | NRSA63J-0R0X | MG RESISTOR,D,E,F | 0Ω,1/16W |
| | R8515 | NRSA63J-0R0X | MG RESISTOR,D,E,F | 0Ω,1/16W |
| | R8516 | NRSA63J-0R0X | MG RESISTOR,D,E,F | 0Ω,1/16W |
| | R8517 | NRSA63J-0R0X | MG RESISTOR,D,E,F | 0Ω,1/16W |
| | C8501 | NBE20JM-106X | T CAPACITOR,D,E,F | 10μF,6.3V |
| | L8501 | NQR0129-002X | FERRITE BEAD,D,E,F | |
| | △ BT8501 | QAB0020-001 | LI BATTERY | |
| | CN601 | QGF0505F1-14X | FPC CONNECTOR | |
| | CN602 | QGF0505F1-06X | FPC CONNECTOR | |
| | CN604 | NNZ0035-001X | MMC CONNECTOR,D,E,F | |

AUDIO VF BOARD ASSEMBLY <08>

| | | | | |
|--|--------|-----------------|---------------------------|------------|
| | PW1 | YB10285E2 | AUDIO VF BOARD ASSY,A,B,C | |
| | | YB10285D2 | AUDIO VF BOARD ASSY,D,E,F | |
| | IC2101 | AK4550VT | IC | |
| | IC2102 | AK4550VT | IC,D,E,F | |
| | IC2103 | JCY0137 | IC | |
| | IC2201 | LA74202W | IC | |
| | IC2301 | NJM2100V | IC | |
| | IC2302 | NJM2100V | IC | |
| | Q2101 | 2SC5585 | TRANSISTOR,D,E,F | |
| | Q2102 | 2SC5585 | TRANSISTOR,D,E,F | |
| | Q2201 | 2SC4617/QR/-X | TRANSISTOR | |
| | Q2301 | 2SC4617/QR/-X | TRANSISTOR,D,E,F | |
| | Q2401 | 2SC4617/QR/-X | TRANSISTOR | |
| | Q2403 | 2SD1511/R/-X | TRANSISTOR | |
| | Q2602 | NRSA6AJ-563W | MG RESISTOR | 56kΩ,1/16W |
| | | or NRVA6AD-563W | CMF RESISTOR | 56kΩ,1/16W |

| # | △ | REF No. | PART No. | PART NAME, DESCRIPTION | | # | △ | REF No. | PART No. | PART NAME, DESCRIPTION | |
|-------|---|---------|--------------|------------------------|-------------|-------|---|---------|--------------|------------------------|--------------|
| R2313 | | | NRSA6AJ-473W | MG RESISTOR | 47kΩ,1/16W | R2775 | | | NRSA6AJ-473W | MG RESISTOR | 47kΩ,1/16W |
| R2314 | | | NRSA6AJ-183W | MG RESISTOR | 18kΩ,1/16W | R2776 | | | NRSA6AJ-473W | MG RESISTOR | 47kΩ,1/16W |
| R2316 | | | NRSA6AJ-224W | MG RESISTOR,D,E,F | 220kΩ,1/16W | R2777 | | | NRSA6AJ-103W | MG RESISTOR | 10kΩ,1/16W |
| R2317 | | | NRSA6AJ-104W | MG RESISTOR,D,E,F | 100kΩ,1/16W | R2778 | | | NRSA6AJ-103W | MG RESISTOR | 10kΩ,1/16W |
| R2318 | | | NRSA6AJ-104W | MG RESISTOR | 100kΩ,1/16W | R7427 | | | NRSA6AJ-0R0W | MG RESISTOR | 0Ω,1/16W |
| R2319 | | | NRSA6AJ-104W | MG RESISTOR,D,E,F | 100kΩ,1/16W | R7428 | | | NRSA6AJ-0R0W | MG RESISTOR | 0Ω,1/16W |
| R2320 | | | NRSA6AJ-104W | MG RESISTOR | 100kΩ,1/16W | R7429 | | | NRSA6AJ-0R0W | MG RESISTOR | 0Ω,1/16W |
| R2321 | | | NRSA6AJ-104W | MG RESISTOR | 100kΩ,1/16W | R7430 | | | NRSA6AJ-0R0W | MG RESISTOR | 0Ω,1/16W |
| R2322 | | | NRSA6AJ-104W | MG RESISTOR,D,E,F | 100kΩ,1/16W | R7442 | | | NRVA6AD-183W | CMF RESISTOR | 18kΩ,1/16W |
| R2323 | | | NRSA6AJ-104W | MG RESISTOR | 100kΩ,1/16W | R7443 | | | NRSA6AJ-334W | MG RESISTOR | 330kΩ,1/16W |
| R2324 | | | NRSA6AJ-104W | MG RESISTOR,D,E,F | 100kΩ,1/16W | R7444 | | | NRSA6AJ-224W | MG RESISTOR | 220kΩ,1/16W |
| R2325 | | | NRSA6AJ-104W | MG RESISTOR,D,E,F | 100kΩ,1/16W | R7445 | | | NRSA6AJ-393W | MG RESISTOR | 39kΩ,1/16W |
| R2326 | | | NRSA6AJ-104W | MG RESISTOR,D,E,F | 100kΩ,1/16W | C2101 | | | NCB30JK-105X | CAPACITOR | 1μF,6.3V |
| R2327 | | | NRSA6AJ-102W | MG RESISTOR,D,E,F | 1kΩ,1/16W | C2102 | | | NCB30JK-105X | CAPACITOR | 1μF,6.3V |
| R2328 | | | NRSA6AJ-103W | MG RESISTOR,D,E,F | 10kΩ,1/16W | C2103 | | | NCBA1HK-222W | CAPACITOR | 0.0022μF,50V |
| R2329 | | | NRSA63J-0R0X | MG RESISTOR,D,E,F | 0Ω,1/16W | C2104 | | | NCBA1HK-222W | CAPACITOR | 0.0022μF,50V |
| R2330 | | | NRSA63J-0R0X | MG RESISTOR,D,E,F | 0Ω,1/16W | C2105 | | | NBE90JM-475X | T CAPACITOR | 4.7μF,6.3V |
| R2333 | | | NRSA6AJ-0R0W | MG RESISTOR,D,E,F | 0Ω,1/16W | C2106 | | | NCB31CK-104X | CAPACITOR | 0.1μF,16V |
| R2334 | | | NRSA6AJ-0R0W | MG RESISTOR,D,E,F | 0Ω,1/16W | C2107 | | | NCB31CK-104X | CAPACITOR | 0.1μF,16V |
| R2401 | | | NRSA6AJ-103W | MG RESISTOR | 10kΩ,1/16W | C2108 | | | NBE90JM-106X | T CAPACITOR | 10μF,6.3V |
| R2402 | | | NRSA6AJ-473W | MG RESISTOR | 47kΩ,1/16W | C2111 | | | NCB30JK-105X | CAPACITOR,D,E,F | 1μF,6.3V |
| R2412 | | | NRSA6AJ-153W | MG RESISTOR | 15kΩ,1/16W | C2112 | | | NCB30JK-105X | CAPACITOR,D,E,F | 1μF,6.3V |
| R2413 | | | NRSA6AJ-103W | MG RESISTOR | 10kΩ,1/16W | C2113 | | | NCBA1HK-222W | CAPACITOR,D,E,F | 0.0022μF,50V |
| R2415 | | | NRSA6AJ-560W | MG RESISTOR | 56kΩ,1/16W | C2114 | | | NCBA1HK-222W | CAPACITOR,D,E,F | 0.0022μF,50V |
| R2429 | | | NRSA6AJ-0R0W | MG RESISTOR | 0Ω,1/16W | C2115 | | | NBE90JM-475X | T CAPACITOR,D,E,F | 4.7μF,6.3V |
| R2601 | | | NRSA6AJ-182W | MG RESISTOR | 1.8kΩ,1/16W | C2116 | | | NCB31CK-104X | CAPACITOR,D,E,F | 0.1μF,16V |
| R2602 | | | NRSA6AJ-182W | MG RESISTOR | 1.8kΩ,1/16W | C2117 | | | NCB31CK-104X | CAPACITOR,D,E,F | 0.1μF,16V |
| R2603 | | | NRSA6AJ-123W | MG RESISTOR | 12kΩ,1/16W | C2118 | | | NBE90JM-106X | T CAPACITOR,D,E,F | 10μF,6.3V |
| R2604 | | | NRSA6AJ-123W | MG RESISTOR | 12kΩ,1/16W | C2119 | | | NCB31CK-104X | CAPACITOR,D,E,F | 0.1μF,16V |
| R2609 | | | NRSA6AJ-332W | MG RESISTOR | 3.3kΩ,1/16W | C2120 | | | NCB31CK-104X | CAPACITOR,D,E,F | 0.1μF,16V |
| R2610 | | | NRSA6AJ-332W | MG RESISTOR | 3.3kΩ,1/16W | C2131 | | | NBE90JM-106X | T CAPACITOR | 10μF,6.3V |
| R2613 | | | NRSA6AJ-472W | MG RESISTOR | 4.7kΩ,1/16W | C2132 | | | NCB31CK-104X | CAPACITOR | 0.1μF,16V |
| R2614 | | | NRSA6AJ-472W | MG RESISTOR | 4.7kΩ,1/16W | C2134 | | | NDCA1HJ-101W | CAPACITOR | 100pF,50V |
| R2615 | | | NRSA6AJ-682W | MG RESISTOR | 6.8kΩ,1/16W | C2136 | | | NDCA1HJ-101W | CAPACITOR | 100pF,50V |
| R2616 | | | NRSA6AJ-682W | MG RESISTOR | 6.8kΩ,1/16W | C2137 | | | NDCA1HJ-101W | CAPACITOR | 100pF,50V |
| R2619 | | | NRSA6AJ-472W | MG RESISTOR | 4.7kΩ,1/16W | C2203 | | | NBE90JM-475X | T CAPACITOR | 4.7μF,6.3V |
| R2620 | | | NRSA6AJ-472W | MG RESISTOR | 4.7kΩ,1/16W | C2204 | | | NBE90JM-106X | T CAPACITOR | 10μF,6.3V |
| R2621 | | | NRSA6AJ-472W | MG RESISTOR | 4.7kΩ,1/16W | C2207 | | | NCBA1AK-104W | CAPACITOR | 0.1μF,10V |
| R2622 | | | NRSA6AJ-472W | MG RESISTOR | 4.7kΩ,1/16W | C2208 | | | NCBA1AK-104W | CAPACITOR | 0.1μF,10V |
| R2623 | | | NRSA6AJ-5R6W | MG RESISTOR | 5.6kΩ,1/16W | C2210 | | | NBE40JM-476X | T CAPACITOR | 47μF,6.3V |
| R2624 | | | NRSA6AJ-5R6W | MG RESISTOR | 5.6kΩ,1/16W | C2211 | | | NBE40JM-476X | T CAPACITOR | 47μF,6.3V |
| R2627 | | | NRSA6AJ-0R0W | MG RESISTOR | 0Ω,1/16W | C2212 | | | NBE90JM-106X | T CAPACITOR | 10μF,6.3V |
| R2628 | | | NRSA6AJ-0R0W | MG RESISTOR | 0Ω,1/16W | C2214 | | | NCB31CK-104X | CAPACITOR | 0.1μF,16V |
| R2629 | | | NRSA6AJ-333W | MG RESISTOR | 33kΩ,1/16W | C2215 | | | NCB31CK-104X | CAPACITOR | 0.1μF,16V |
| R2630 | | | NRSA6AJ-333W | MG RESISTOR | 33kΩ,1/16W | C2216 | | | NCBA1CK-103W | CAPACITOR | 0.01μF,16V |
| R2631 | | | NRSA6AJ-153W | MG RESISTOR | 15kΩ,1/16W | C2217 | | | NCBA1AK-104W | CAPACITOR | 0.1μF,10V |
| R2632 | | | NRSA6AJ-153W | MG RESISTOR | 15kΩ,1/16W | C2220 | | | NCB30JK-105X | CAPACITOR | 1μF,6.3V |
| R2633 | | | NRSA6AJ-153W | MG RESISTOR | 15kΩ,1/16W | C2221 | | | NCB30JK-105X | CAPACITOR | 1μF,6.3V |
| R2634 | | | NRSA6AJ-153W | MG RESISTOR | 15kΩ,1/16W | C2224 | | | NCBA1AK-104W | CAPACITOR | 0.1μF,10V |
| R2635 | | | NRSA6AJ-0R0W | MG RESISTOR,A,B,C | 0Ω,1/16W | C2227 | | | NCB21CK-105X | CAPACITOR | 1μF,16V |
| R2636 | | | NRSA6AJ-0R0W | MG RESISTOR,A,B,C | 0Ω,1/16W | C2230 | | | NCB31CK-104X | CAPACITOR | 0.1μF,16V |
| R2640 | | | NRSA6AJ-182W | MG RESISTOR | 1.8kΩ,1/16W | C2301 | | | NBE90JM-106X | T CAPACITOR | 10μF,6.3V |
| R2641 | | | NRSA6AJ-182W | MG RESISTOR | 1.8kΩ,1/16W | C2303 | | | NCB30JK-105X | CAPACITOR,D,E,F | 1μF,6.3V |
| R2642 | | | NRSA6AJ-102W | MG RESISTOR | 1kΩ,1/16W | C2306 | | | NCB30JK-105X | CAPACITOR,D,E,F | 1μF,6.3V |
| R2643 | | | NRSA6AJ-473W | MG RESISTOR | 47kΩ,1/16W | C2307 | | | NCB30JK-105X | CAPACITOR,D,E,F | 1μF,6.3V |
| R2715 | | | NRSA6AJ-0R0W | MG RESISTOR | 0Ω,1/16W | C2308 | | | NCB30JK-105X | CAPACITOR | 1μF,6.3V |
| R2756 | | | NRSA6AJ-332W | MG RESISTOR | 3.3kΩ,1/16W | C2309 | | | NCB30JK-105X | CAPACITOR | 1μF,6.3V |
| R2757 | | | NRSA6AJ-564W | MG RESISTOR | 560kΩ,1/16W | C2310 | | | NCB30JK-105X | CAPACITOR,D,E,F | 1μF,6.3V |
| R2758 | | | NRSA6AJ-564W | MG RESISTOR | 560kΩ,1/16W | C2311 | | | NCB31CK-104X | CAPACITOR,D,E,F | 0.1μF,16V |
| R2759 | | | NRSA6AJ-821W | MG RESISTOR | 820Ω,1/16W | C2312 | | | NCB30JK-105X | CAPACITOR,D,E,F | 1μF,6.3V |
| R2760 | | | NRSA6AJ-821W | MG RESISTOR | 820Ω,1/16W | C2313 | | | NCB30JK-105X | CAPACITOR | 1μF,6.3V |

| # ▲ REF No. | PART No. | PART NAME, DESCRIPTION | | # ▲ REF No. | PART No. | PART NAME, DESCRIPTION |
|-------------|---------------|------------------------|--------------|-------------|----------|------------------------|
| C2314 | NCB30JK-105X | CAPACITOR | 1μF,6.3V | | | |
| C2315 | NCB31CK-104X | CAPACITOR,D,E,F | 0.1μF,16V | | | |
| C2316 | NCB31CK-104X | CAPACITOR,D,E,F | 0.1μF,16V | | | |
| C2402 | NBE90JM-106X | T CAPACITOR | 10μF,6.3V | | | |
| C2412 | NBE40JM-476X | T CAPACITOR | 47μF,6.3V | | | |
| C2413 | NBE40JM-476X | T CAPACITOR | 47μF,6.3V | | | |
| C2603 | NCB31EK-472X | CAPACITOR | 0.0047μF,25V | | | |
| C2604 | NCB31EK-472X | CAPACITOR | 0.0047μF,25V | | | |
| C2605 | NCBA1HK-152W | CAPACITOR | 0.0015μF,50V | | | |
| C2606 | NCBA1HK-152W | CAPACITOR | 0.0015μF,50V | | | |
| C2611 | NCB31CK-333X | CAPACITOR | 0.033μF,16V | | | |
| C2612 | NCB31CK-333X | CAPACITOR | 0.033μF,16V | | | |
| C2613 | NCBA1HK-332W | CAPACITOR | 0.0033μF,50V | | | |
| C2614 | NCBA1HK-332W | CAPACITOR | 0.0033μF,50V | | | |
| C2617 | NCB31CK-273X | CAPACITOR | 0.027μF,16V | | | |
| C2618 | NCB31CK-273X | CAPACITOR | 0.027μF,16V | | | |
| C2621 | NBE90JM-475X | T CAPACITOR | 4.7μF,6.3V | | | |
| C2622 | NBE90JM-475X | T CAPACITOR | 4.7μF,6.3V | | | |
| C2625 | NCB31CK-104X | CAPACITOR | 0.1μF,16V | | | |
| C2626 | NCB31CK-104X | CAPACITOR | 0.1μF,16V | | | |
| C2627 | NCBA1HK-102W | CAPACITOR | 0.001μF,50V | | | |
| C2628 | NCBA1HK-102W | CAPACITOR | 0.001μF,50V | | | |
| C2629 | NBE20GM-336X | T CAPACITOR | 33μF,4.0V | | | |
| C2631 | NCB31EK-103X | CAPACITOR | 0.01μF,25V | | | |
| C2632 | NCB31EK-103X | CAPACITOR | 0.01μF,25V | | | |
| C2635 | NCB30JK-105X | CAPACITOR | 1μF,6.3V | | | |
| C2636 | NCB30JK-105X | CAPACITOR | 1μF,6.3V | | | |
| C2639 | NCB31CK-104X | CAPACITOR | 0.1μF,16V | | | |
| C2640 | NCB31CK-104X | CAPACITOR | 0.1μF,16V | | | |
| C2702 | NBE90GM-226X | T CAPACITOR | 22μF,4.0V | | | |
| C2703 | NBE90GM-226X | T CAPACITOR | 22μF,4.0V | | | |
| C2753 | NCB20JK-225X | CAPACITOR | 2.2μF,6.3V | | | |
| C2754 | NCB20JK-225X | CAPACITOR | 2.2μF,6.3V | | | |
| C2764 | NCB20JK-225X | CAPACITOR | 2.2μF,6.3V | | | |
| C2765 | NCB20JK-225X | CAPACITOR | 2.2μF,6.3V | | | |
| C2766 | NCB21CK-474X | CAPACITOR | 0.47μF,16V | | | |
| C2767 | NCB21CK-474X | CAPACITOR | 0.47μF,16V | | | |
| C2768 | NRSA63J-0R0X | MG RESISTOR | 0Ω,1/16W | | | |
| C2769 | NRSA63J-0R0X | MG RESISTOR | 0Ω,1/16W | | | |
| C7427 | NBP41DM-106X | T CAPACITOR | 10μF,20V | | | |
| C7428 | NCB21CK-105X | CAPACITOR | 1μF,16V | | | |
| C7429 | NBE21AM-106X | T CAPACITOR | 10μF,10V | | | |
| C7431 | NBE20JM-106X | T CAPACITOR | 10μF,6.3V | | | |
| L2101 | NQL402M-100X | COIL | 10μH | | | |
| L2102 | NQL402M-100X | COIL,D,E,F | 10μH | | | |
| L2131 | NQL402M-100X | COIL | 10μH | | | |
| L2601 | NRSA63J-0R0X | MG RESISTOR | 0Ω,1/16W | | | |
| L2602 | NRSA63J-0R0X | MG RESISTOR | 0Ω,1/16W | | | |
| L2603 | NRSA63J-0R0X | MG RESISTOR | 0Ω,1/16W | | | |
| L2604 | NRSA63J-0R0X | MG RESISTOR | 0Ω,1/16W | | | |
| L7403 | NQL045K-100X | COIL | 10μH | | | |
| L7404 | NQL045K-100X | COIL | 10μH | | | |
| S7001 | NSW0129-001X | PUSH SWITCH | | | | |
| CN801 | QGB0401L1-A0X | CONNECTOR | | | | |
| CN802 | QGF0517F2-12X | FPC CONNECTOR | | | | |
| CN803 | QGF0517F1-06X | FPC CONNECTOR | | | | |
| CN804 | QGA1001F1-05X | CONNECTOR | | | | |
| CN805 | QGF0507F1-20X | FPC CONNECTOR | | | | |
| OT1 | LY42535-001A | SHEET(AUD.PWB) | | | | |
| OT2 | LY42775-001A | S.SHEET(AU/VF) | | | | |